

RACAL INSTRUMENTS 1261B-LINEAR VXIbus MAINFRAME

PUBLICATION NO. 980844

EADS North America Defense Test and Services, Inc.
4 Goodyear, Irvine, CA 92618
Tel: (800) 722-2528, (949) 859-8999; Fax: (949) 859-7139

info@eads-nadefense.com
sales@eads-nadefense.com
helpdesk@eads-nadefense.com
<http://www.eads-nadefense.com>



PUBLICATION DATE: September 14, 2001

Copyright 1995 by EADS North America Defense Test and Services, Inc. Printed in the United States of America. All rights reserved. This book or parts thereof may not be reproduced in any form without written permission of the publisher.

**THANK YOU FOR PURCHASING THIS
EADS NORTH AMERICA DEFENSE TEST AND SERVICES PRODUCT**

For this product, or any other EADS North America Defense Test and Services, Inc. product that incorporates software drivers, you may access our web site to verify and/or download the latest driver versions. The web address for driver downloads is:

<http://www.eads-nadefense.com/downloads>

If you have any questions about software driver downloads or our privacy policy, please contact us at:

info@eads-nadefense.com

WARRANTY STATEMENT

All EADS North America Defense Test and Services, Inc. products are designed and manufactured to exacting standards and in full conformance to EADS ISO 9001:2000 processes.

This warranty does not apply to defects resulting from any modification(s) of any product or part without EADS North America Defense Test and Services, Inc. express written consent, or misuse of any product or part. The warranty also does not apply to fuses, software, non-rechargeable batteries, damage from battery leakage, or problems arising from normal wear, such as mechanical relay life, or failure to follow instructions.

This warranty is in lieu of all other warranties, expressed or implied, including any implied warranty of merchantability or fitness for a particular use. The remedies provided herein are buyer's sole and exclusive remedies.

For the specific terms of your standard warranty, or optional extended warranty or service agreement, contact your EADS North America Defense Test and Services, Inc. customer service advisor. Please have the following information available to facilitate service.

1. Product serial number
2. Product model number
3. Your company and contact information

You may contact your customer service advisor by:

E-Mail:	Helpdesk@eads-nadefense.com	
Telephone:	+1 800 722 3262	(USA)
Fax:	+1 949 859 7309	(USA)

RETURN of PRODUCT

Authorization is required from EADS North America Defense Test and Services, Inc. before you send us your product for service or calibration. Call or contact the Customer Support Department at 1-800-722-3262 or 1-949-859-8999 or via fax at 1-949-859-7139. We can be reached at: helpdesk@eads-nadefense.com.

PROPRIETARY NOTICE

This document and the technical data herein disclosed, are proprietary to EADS North America Defense Test and Services, Inc., and shall not, without express written permission of EADS North America Defense Test and Services, Inc., be used, in whole or in part to solicit quotations from a competitive source or used for manufacture by anyone other than EADS North America Defense Test and Services, Inc. The information herein has been developed at private expense, and may only be used for operation and maintenance reference purposes or for purposes of engineering evaluation and incorporation into technical specifications and other documents which specify procurement of products from EADS North America Defense Test and Services, Inc.

DISCLAIMER

Buyer acknowledges and agrees that it is responsible for the operation of the goods purchased and should ensure that they are used properly and in accordance with this handbook and any other instructions provided by Seller. EADS North America Defense Test and Services, Inc. products are not specifically designed, manufactured or intended to be used as parts, assemblies or components in planning, construction, maintenance or operation of a nuclear facility, or in life support or safety critical applications in which the failure of the EADS North America Defense Test and Services, Inc. product could create a situation where personal injury or death could occur. Should Buyer purchase EADS North America Defense Test and Services, Inc. product for such unintended application, Buyer shall indemnify and hold EADS North America Defense Test and Services, Inc., its officers, employees, subsidiaries, affiliates and distributors harmless against all claims arising out of a claim for personal injury or death associated with such unintended use.

FOR YOUR SAFETY

Before undertaking any troubleshooting, maintenance or exploratory procedure, read carefully the **WARNINGS** and **CAUTION** notices.



CAUTION
RISK OF ELECTRICAL SHOCK
DO NOT OPEN



This equipment contains voltage hazardous to human life and safety, and is capable of inflicting personal injury.



If this instrument is to be powered from the AC line (mains) through an autotransformer, ensure the common connector is connected to the neutral (earth pole) of the power supply.



Before operating the unit, ensure the conductor (green wire) is connected to the ground (earth) conductor of the power outlet. Do not use a two-conductor extension cord or a three-prong/two-prong adapter. This will defeat the protective feature of the third conductor in the power cord.



Maintenance and calibration procedures sometimes call for operation of the unit with power applied and protective covers removed. Read the procedures and heed warnings to avoid “live” circuit points.

Before operating this instrument:

1. Ensure the proper fuse is in place for the power source to operate.
2. Ensure all other devices connected to or in proximity to this instrument are properly grounded or connected to the protective third-wire earth ground.

If the instrument:

- fails to operate satisfactorily
- shows visible damage
- has been stored under unfavorable conditions
- has sustained stress

Do not operate until, performance is checked by qualified personnel.

Racal Instruments

EC Declaration of Conformity

We

Racal Instruments Inc.
4 Goodyear Street
Irvine, CA 92718

declare under sole responsibility that the

1261B-Linear Mainframe
P/N 407771-XXXXX

Conforms to the following Product Specifications:

Safety: EN 61010-1

EMC: EN61326 Class A

The product herewith complies with the requirements of the Low Voltage Directive 73/23/EEC and the EMC Directive 89/336/EEC.

Irvine, CA, October 15, 2001



Quality Manager

This page was left intentionally blank.

Table of Contents

Chapter 1 1-1

GETTING STARTED 1-1

 Product Description 1-1

 Key Features 1-1

 Items Shipped With The 1261B-Linear 1-2

 Ordering Information 1-3

Chapter 2 2-1

CONFIGURING THE 1261B-Linear 2-1

 Using This Chapter 2-1

 AC Mains Power 2-1

 Site Considerations 2-1

 Installing VXI Modules 2-1

 Installation and Removal of Card Guide Covers (Airflow Directors) 2-2

 Installing Blanking Panels 2-3

 Fan Speed Setting 2-4

 Installing the Enhanced Monitoring System (EMS) 2-4

 Enhanced Monitor VXI Logical Address Switch 2-4

 Enhanced Monitor Configuration Switch 2-5

 Connecting The RS-232 Interface 2-7

 Connecting To a Computer, Data Terminal, or Modem 2-7

 Rs-232 Flow Control Method 2-7

 RS-232 Echo Back Considerations 2-8

 Controlling 1261B-Linear EMS with HyperTerminal/ Win 95 2-9

Installing The <i>VXIplug&play</i> Software	2-11
Chapter 3	3-1
OPERATING THE 1261B-Linear	3-1
Using This Chapter	3-1
Powering On the 1261B-Linear	3-3
Monitoring Basics	3-4
Backplane Connectors	3-8
Basic Functional Check.....	3-11
Chapter 4	4-1
USING THE ENHANCED MONITORING SYSTEM	4-1
Overview	4-1
Power On/Reset Defaults.....	4-1
What To Do Now	4-3
Measuring Power Supply Voltages	4-3
Measuring Ambient Temperature.....	4-3
Measuring VXI Slot Temperature	4-4
Measuring Fan Speed.....	4-4
Measuring Power Supply Currents.....	4-4
Measuring Elapsed Time.....	4-5
Reading The Present State of VXI Signals	4-5
Monitoring The VXI System.....	4-6
Programming The Tolerance Limits	4-6
Programming The Power Supply Voltage Tolerance Limits.....	4-7
Programming The Power Supply Current Tolerance Limits	4-7
Programming The Fan Speed Tolerance Limits.....	4-8

Programming The Ambient Temperature Tolerance Limit	4-8
Programming The VXI Slot Temperature Rise Tolerance Limits.....	4-9
Programming The VXI Bus Error and IACKn Tolerance Limits	4-9
Reading The VXI Bus Error and IACKn Counters	4-10
Clearing The VXI Bus Error and IACKn Counters	4-11
Enabling and Disabling The Current Sharing Feature.....	4-11
Generating an Interrupt When an Alarm Condition is Detected	4-11
Clearing The Filter Service Alarm	4-20
Change of Limit for Filter Service Alarm Example.....	4-21
Interrupt Generation Example	4-21
Programming The Trigger Subsystem	4-23
Connecting The TRIG IN Input To a TTLTRIG Line.....	4-23
Connecting The TRIG OUT Output To a TTLTRG Line	4-24
Programming a Trigger Delay Time	4-25
Selecting The Trigger Delay Application	4-26
Programming The Front Panel Display	4-26
Turning The Display On and Off.....	4-27
Writing a Message To The Display	4-27
Clearing The Message From The Display	4-28
Front Panel Message Semantics	4-28
Front Panel Status Messages	4-29
Programming The RS-232 Interface	4-30
Programming The Baud Rate.....	4-30
Programming The Number of Data Bits	4-31
Programming The Parity	4-31
Programming The Number of Stop Bits	4-31
Illegal RS-232 Interface Combinations.....	4-31

Setting The System Time and Date	4-33
Reading Event Time Stamps.....	4-33
IEEE-488.2 Common Commands	4-35
*IDN? Query	4-35
*RST Command	4-35
*TST? Query	4-35
*CLS Command	4-36
*ESE Command	4-36
*ESE? Query	4-37
*ESR? Query.....	4-37
*SRE Command.....	4-38
*SRE? Query.....	4-39
*STB? Query	4-39
*OPC Command.....	4-40
*OPC? Query.....	4-40
*RCL Command.....	4-40
*SAV Command.....	4-41
*TRG Command	4-41
*WAI Command.....	4-41
Performing the Self Test.....	4-41

Chapter 5	5-1
SCPI COMMAND REFERENCE.....	5-1
What's In This Chapter.....	5-1
Introduction To SCPI Language	5-1
Command Keyword Long Form and Short Form.....	5-2
Case Sensitivity.....	5-2
Optional Keywords	5-3
Multiple Identical Capabilities and Keyword Suffixes	5-3
The MIN, MAX, and DEF Parameters	5-4
Querying Parameter Setting.....	5-4
Query Response Format	5-5
SCPI Command Terminator	5-5
IEE-STD-488.2 Common Commands	5-5
SCPI Parameter Type	5-6
Numeric Parameter	5-6
Discrete Parameter	5-6
Boolean Parameters.....	5-6
SCPI Command Summary	5-6
Command Parameter Limits.....	5-10
Device Specific Commands	5-10

Chapter 6	6-1
UNDERSTANDING THE 1261B-Linear	6-1
Overview	6-1
Power Supply	6-1
Power Supply Interconnection.....	6-1
Power Supply Protections	6-3
Backplane	6-3
Backplane Interconnections	6-3
Cooling System	6-4
Cooling The Power System.....	6-4
Enhanced System Monitor (EMS)	6-4
EMS Module System Interconnection	6-6
EMS Module General Capabilities	6-6
User Limits On EMS Monitored Parameters	6-7
Timestamps on EMS Monitored Events	6-7
EMS Rear Panel Fan Speed Monitor	6-7
EMS Fan Speed Control	6-7
EMS Fan Speed Switch	6-7
 Chapter 7	 7-1
MAINTENANCE.....	7-1
What's in This Chapter	7-1
Service Strategy	7-1
Service Interval.....	7-1
Preparation.....	7-1

Inspection and Cleaning.....	7-2
Interior Cleaning	7-2
Exterior Cleaning.....	7-2
Cleaning The Module Fan Filter	7-3
Modular Component Removal and Replacement.....	7-4
Tools Required	7-4
Removal and Replacement of The Module Fan Assembly	7-5
Removal and Replacement of The System Monitor.....	7-7
Removal and Replacement of The AC Mains Fuses	7-9
Removing and Replacing The Card Guides.....	7-10
Troubleshooting The 1261B-Linear.....	7-11
Chapter 8	8-1
PRODUCT SUPPORT	8-1
Product Support	8-1
Warranty.....	8-1
Appendix A	A-1
SPECIFICATIONS	A-1
Appendix B	B-1
ERROR MESSAGE	B-1

List of Figures

Figure 2-1, Airflow Directors	2-2
Figure 2-2, Blanking Panels.....	2-3
Figure 2-3, Fan Speed Setting.....	2-4
Figure 2-4, Setting The Enhanced Monitor VXI logical Address.....	2-5
Figure 2-5, Setting the Enhanced Monitoring System Configuration Switch	2-6
Figure 2-6, Setting Up The Enhanced Monitoring System RS-232 Interface	2-8
Figure 2-7, RS-232 Connection With a Computer, Data Terminal or Modem	2-10
Figure 3-1, Front View	3-2
Figure 3-2, Rear View / Connections	3-3
Figure 4-1, Voltage Condition Register.....	4-12
Figure 4-2, Event and Enable Registers and Summary Bit Generation.....	4-16
Figure 4-3, Status Reporting Hierarchy	4-19
Figure 6-1, Functional Block Diagram For 1261B-Linear Chassis.....	6-2
Figure 6-2, Enhanced Monitoring System Module Block Diagram	6-5
Figure 7-1, Cleaning The Module Fan Filter	7-3
Figure 7-2, Module Fan Assembly Detail.....	7-6
Figure 7-3, Aligning The Module Fan Assembly	7-6
Figure 7-4, Monitoring System Module Rear View	7-7
Figure 7-5, Monitoring System Module Removal and Replacement.....	7-8
Figure 7-6, Removing and Replacing The AC Mains Fuses.....	7-9
Figure 7-7, Card Guide Removal and Replacement.....	7-10
Figure A-1, Mainframe Worst Case Slot Cooling Curve	A-4

List of Tables

Table 3-1, Monitoring Basics	3-4
Table 3-2, EMS Rear Panel Switches.....	3-5
Table 3-3, J412 EMS RS-232 Port	3-5
Table 3-4, J413 EMS TTL Trigger Connector	3-6
Table 3-5, J414 EMS Rear Panel Monitor	3-6
Table 3-6, J418 Rear Panel Monitor Connector	3-7
Table 3-7, P1 Connector Pinouts.....	3-8
Table 3-8, P2 Connector Pinouts For All Non-Slot 0 Location.....	3-9
Table 3-9, P2 Connector Pinouts for VXIbus Slot 0.....	3-10
Table 3-10, Power Supply Voltages at J418.....	3-11
Table 4-1, Default Limit Settings After Power On, *RST.....	4-2
Table 4-2, Voltage Condition and Event Register Bit Assignments	4-13
Table 4-3, Temperature Condition and Event Register Bit Assignments.....	4-13
Table 4-4, Fan Speed Condition and Event Register Bit Assignments.....	4-14
Table 4-5, Time Condition and Event Register Bit Assignments	4-14
Table 4-6, VXI Condition and Event Register Bit Assignments	4-14
Table 4-7, Questionable Condition Register Bit Assignment.....	4-17
Table 4-8, Front Panel Status Messages.....	4-29
Table 5-1, VXIbus 1261B-Linear EMS SCPI Commands List Summary	5-7
Table 5-2, Defaults, Minima and Maxima	5-10
Table 7-1, Troubleshooting.....	7-12
Table A-1, AC Input Specifications	A-1

Table A-2, DC Output PowerA-2

Table A-3, CoolingA-3

Table A-4, SafetyA-4

Table A-5, Environmental (Typical).....A-5

Table A-6, BackplaneA-5

Table A-7, MechanicalA-5

Table A-8, EMS Monitoring System Specifications, (Typical)..... A-6

Table B-1, Error MessagesB-2

Chapter 1

GETTING STARTED

Product Description

The 1261B-Linear is a Linear Powered VXIbus mainframe. The linear supply is located in a separate 3U tall box (407703, -100 [115VAC] or 407703-001 [220VAC]) with cable assemblies 407704-XX1 and 407704-XX2 providing the power and control interface.

Key Features

- **Low Noise Linear Power Supply.** The 1261B-Linear VXI power supplies are ideal for demanding applications such as RF and microwave systems where the switching power supply noise interferes with sensitive measurements or circuits.
- **Fast Setup.** The 1261B backplane uses active-automatic VME interrupt acknowledge and bus grant daisy chaining. Manual configuration of backplane switch settings or jumpers has been eliminated.
- **Visual System Health Status Indication.** The 1261B system monitor gives you key system health status (Voltage, Airflow and Temperature) on the front panel display. Monitored parameters include temperature rise on each slot, fan speed, and power supply voltage.
- **Enhanced Monitoring.** The optional micro-controller based Enhanced Monitoring System (EMS) adds a fully VXIbus compliant message-based interface, an auxiliary RS-232 port, and VXI*plug&play* drivers. The alpha numeric display that comes with the EMS provides detailed system status messages.
- **Modular Power Supply, Fans, and Monitor.** The 1261B modular system design results in a mainframe with low MTTR and high MTBF.
- **Variable Recess Rack Mounting.** Adjustable rack mount ears provide variable (0.625 inch increments) recess rack mounting capability.

- **Fan Speed Control.** The 1261B delivers the cooling air that your application requires. Fan speed control reduces acoustic noise levels of the 1261B high performance cooling system.

Items Shipped With The 1261B-Linear

USA 115VAC

P/N 407771-03120 & 407771-03112

Qty.	Item	Part Number
1	Power Interface Cable, P416	407704-XX1
1	Power Interface Cable, P417	407704-XX2
1	Linear Power Supply	407703, 100
1	Instruction Manual	980844
2	Power Cable	602262
6	Card Guide Covers	456271
1	VXI <i>plug&play</i> Software Driver WIN95/WINNT (included with manual)	921511

International 220VAC

P/N 407771-13120 & 407771-13112

Qty.	Item	Part Number
1	Power Interface Cable, P416	407704-XX1
1	Power Interface Cable, P417	407704-XX2
1	Linear Power Supply	407703-001
1	Instruction Manual	980844
2	Power Cable	602269
6	Card Guide Covers	456271
1	VXI <i>plug&play</i> Software Driver WIN95/WINNT (included with manual)	921511

Ordering Information

	Ordering Information	
Model	7U Mainframe and 3U Power Supply	Part Number
1261B-Linear	High Performance VXI Mainframe with Linear Power Supply, (115VAC) Domestic	407771-03120
1261B-Linear EMS	High Performance VXI Mainframe with Linear Power Supply includes Enhanced Monitoring System, (115VAC) Domestic	407771-03112
1261B-Linear	High Performance VXI Mainframe with Linear Power Supply, (220VAC) International	407771-13120
1261B-Linear EMS	High Performance VXI Mainframe with Linear Power Supply includes Enhanced Monitoring System, (220VAC) International	407771-13112
12601B-Linear	12601B-Linear Power Supply 7U 12V@10A	407771-14120
12601B-Linear EMS	12601B-Linear Power Supply 7U, Enhanced Monitoring System, 12V@10A	407771-14112
	Options Available	
Option 1	Rack Mount Flanges (ears) w/Slides	407389
Option 2	Rack Mount Flange (ears) w/Slides and Door	407390
Option 3	Rack Mount Flange (ears) w/Door	407391
Option 4	Rack Mount Flange (ears)	407392
Option 721	1 U size Cable Tray (total 8U size)	Opt-407518-001
Option 51	Backplane/connector Shields installed	Opt-407400
Option 52	Inter-module Shield (12ea.)	Opt-407419
1261B Fan Module	Spare Fan Module for EMS units	407375
1261B Fan Module	Spare Fan Module for Non EMS equipped units	407375-001
EMS Module	Spare EMS Module	405094-001

This page was left intentionally blank.

Chapter 2

CONFIGURING THE 1261B-Linear

Using This Chapter

This section includes procedures to install and configure the 1261B mainframe. Use this chapter to:

- Review installation site considerations.
- Install VXI modules, card guide covers, or optional blanking plates.
- Configure and connect to the optional Enhanced Monitoring System (EMS) module.

AC Mains Power

The 1261B-Linear is configured for the appropriate AC operation (115VAC or 220VAC) when shipped. Should it be necessary to replace the AC mains fuse (F400) on the supply or mainframe, refer to Chapter 7 **Removal and Replacement of The AC Mains Fuses**.

Site Considerations

The 1261B Mainframe is designed to operate on a bench or in an instrument rack. If installed in a rack, allow 1.75 inches of clearance above the unit to permit the free flow of air through the exhaust vents in the top cover.

Installing VXI Modules

Install C-size modules directly into the mainframe by first placing the module's card edges into the front module guides (top and bottom). Slide the module to the rear of the mainframe until the module connectors mate solidly with the backplane connectors. Secure the module's front panel to the mainframe using the module's front panel mounting screws.

The easiest way to install B-size modules is with a "B to C-size adapter" allowing a B-size module to be installed just like a C-size.

Installation and Removal of Card Guide Covers (Airflow Directors)

In order to improve cooling of used slots in the VXI mainframe, a limited number of airflow directors, P/N 456271, may be installed at empty slot locations to redirect otherwise wasted airflow.

CAUTION:

To maintain a balanced airflow throughout the system when using airflow directors, do not cover more than six empty slots at any time. If module density is low, space airflow directors evenly across the mainframe.

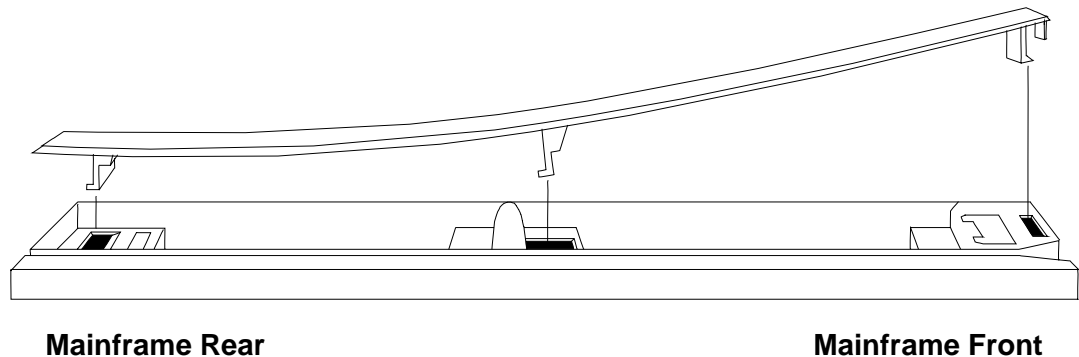


Figure 2-1, Airflow Directors

1. Facing the front of the VXI mainframe, with one hand hold the airflow director by the front end where the "Racal" logo appears.
2. Select the slot to be covered by the director, and place the hook at the rear of the director into the rectangular hole at the rear of the cardguide (1). Slight downward pressure on top of the director (with the other hand) at the rear may be required to engage the hook into the cardguide.
3. Slightly flex the director upwards at the front, maintaining pressure at the rear, and lower the center hook of the director into the center rectangular hole in the cardguide (2).
4. Press down and back to allow both center and rear hook to engage fully into the cardguide.

5. Lower the front of the director and allow the snap-in hook to rest on the cardguide (3).
6. With a slotted screwdriver or similar flat-bladed tool, depress the spring hook (4) at a slight downward angle, applying light pressure to the logo area. This will cause the snap-hook to firmly seat the director into place.
7. To remove the airflow director, depress the snap-in hook (4) from the front with a flat-bladed tool. This will unlatch the hook and allow removal from the cardguide at the front end.
8. Pull forward to release the fixed hooks at the center and rear.

Installing Blanking Panels

In order to optimize module cooling performance, install optional blank panels (P/N 404836) into unused or empty slots. Secure with two captive mounting screws. Refer to **Figure 2-2**.

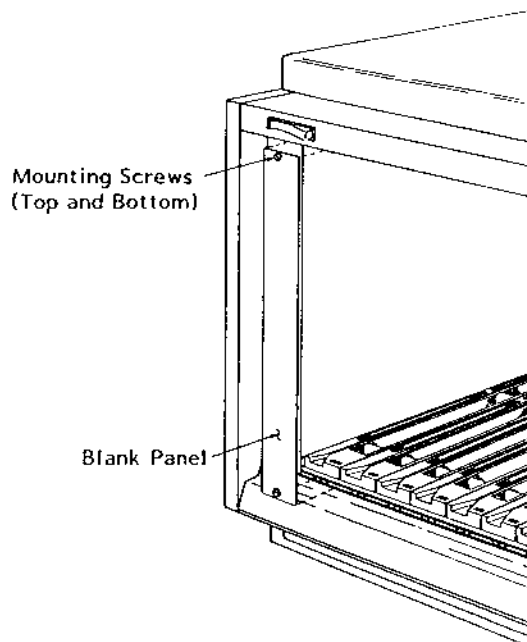


Figure 2-2, Blanking Panels

Fan Speed Setting

The 1261B-Linear fan speed may be set to “variable” or maximum by setting the fan speed switch (See **Table 3-3**) on the EMS rear panel to the appropriate position. The 1261B-Linear is shipped with variable speed. Note that the 1261B-Linear does not allow a range selection (HI or LO) as is the case with the standard 1261B EMS, The 1261B-Linear EMS is factory configures for HI range (at J14 on the EMS) and must remain in HI range at all times for proper operation.

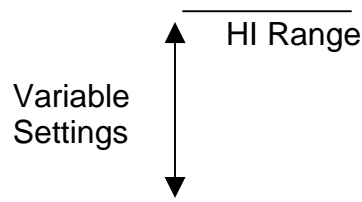


Figure 2-3, Fan Speed Setting

Installing the Enhanced Monitoring System (EMS)

Omit the following procedures if your mainframe is not equipped with the Enhanced Monitoring System (EMS).

Enhanced Monitor VXI Logical Address Switch

The EMS module is a statically configurable SC device as described in VXIbus Specification 1.4, Sections C.2.1.1.1 and F.1. When the 1261B is shipped with the EMS, the VXI Logical Address is set to address 13 decimal. Refer to **Figure 2-13** to change the logical address of the EMS module.

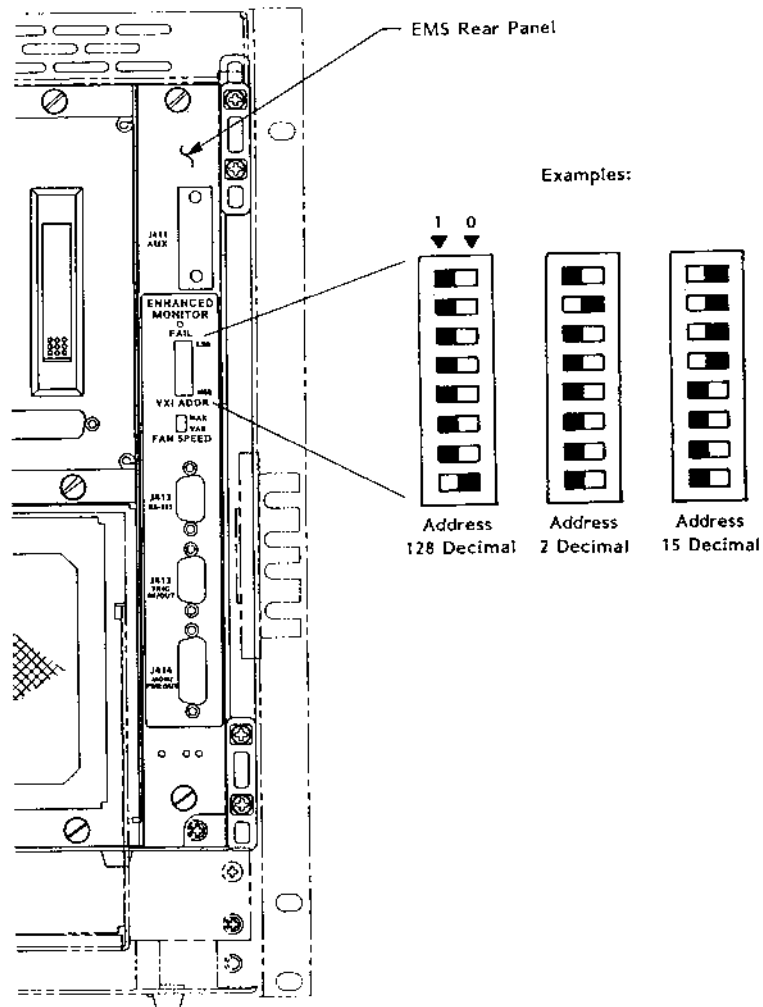


Figure 2-4, Setting The Enhanced Monitor VXI logical Address

Enhanced Monitor Configuration Switch

Omit this procedure if your mainframe is not equipped with the Enhanced Monitoring System (EMS).

NOTE:

Perform this procedure only if factory default setting is incompatible with your application. See Figure 2-14 for default setting.

WARNING:

Ensure that J400 AC Input is disconnected before removing or replacing the System Monitoring (EMS) module. Possible damage to the module could result.

1. Remove the EMS module. See Removal and Replacement in Chapter 7.
2. Configure SW1 located on the component side of the EMS module.
3. Replace the EMS module. See Removal and Replacement in Chapter 7.

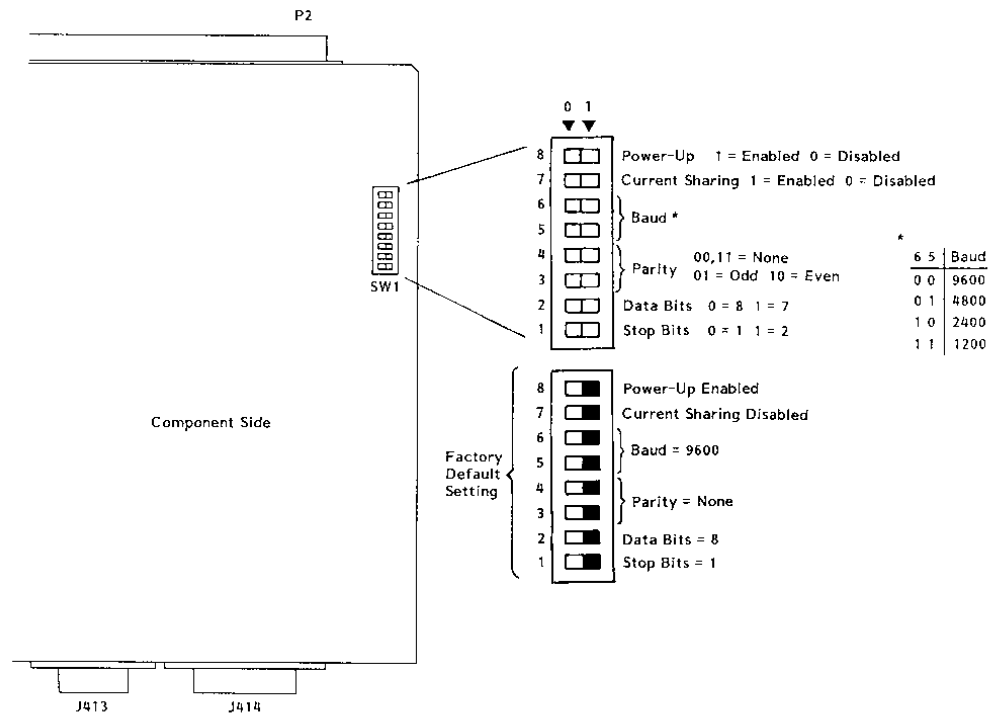


Figure 2-5, Setting the Enhanced Monitoring System Configuration Switch

Connecting The RS-232 Interface

Omit this procedure if your mainframe is not equipped with the Enhanced Monitoring System (EMS).

The 1261B EMS RS-232 port may be connected to a computer, data terminal, or modem. Note that the RS-232 connector on the 1261B is a female, DB-09. If you do not intend to use the RS-232 port, omit this procedure.

Connecting To a Computer, Data Terminal, or Modem

Use an RS-232 cable to connect J412 (9-pin female RS-232 connector) on the EMS rear panel to the RS-232 serial port on the host controller. Refer to **Figure 2-15 Setting Up the Enhanced Monitoring System (EMS) RS-232 Interface**, and to **Figure 2-16 RS-232 Cable Connections With a Computer, Data Terminal, or modem**.

Rs-232 Flow Control Method

Flow control is a means by which the host computer (or other controller) may pace the flow of data coming from the 1261B EMS Monitor so that the host controller has time to properly receive the data. It also allows the 1261B EMS Monitor to pace commands coming from the host computer so that the 1261B EMS Monitor has sufficient time to execute the commands as they arrive.

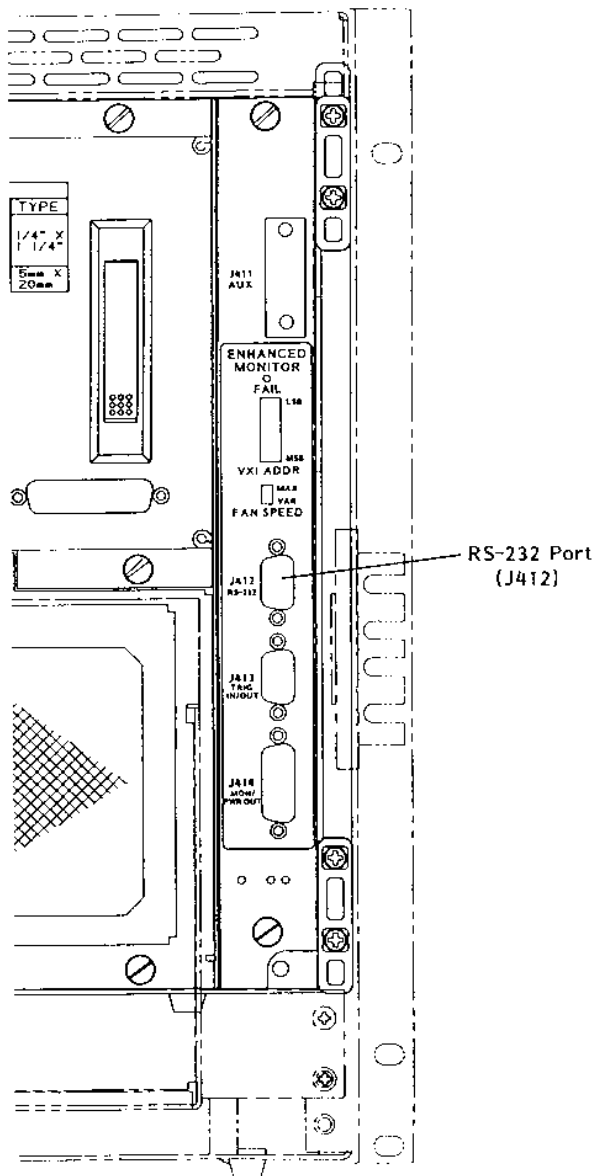
The 1261B EMS RS-232 interface uses only "Software" flow control or "XON/XOFF". The host controller RS-232 flow control must be set for "Software" or "XON/XOFF".

With software flow control, as implemented in the 1261B EMS Monitor, an RS-232 device that is receiving data may send an XOFF character (ASCII 19₁₀) to the sending device, commanding the sending device to suspend data output. Later, when the receiving device is ready for more data, it may send an XON character (ASCII 17₁₀) to the sending device, indicating that data transmission may be resumed.

If your controller does not support flow control, it will not send or respond to XON or XOFF characters and flow control will thus be non-existent. Note that operating without flow control may necessitate a slower baud rate in order to avoid data overrun problems.

RS-232 Echo Back Considerations

The 1261B EMS Monitor will not echo back characters it receives from the terminal. If you wish to see characters on your terminal as you type them, set your terminal for "Local Echo".



1. If factory default RS-232 setting is incompatible with your computer, (data terminal, or modem), perform the procedure described in **Figure 2-14 Setting Enhanced Monitoring System RS-232 Configuration Switch**.

The factory default setting is:

1 Stop bit, 8 data bits, No Parity, 9600 Baud, and RS-232 enabled at power on.

2. Connect host computer to RS-232 port. See **Figure 2-16 RS-232 Cable Connections With a Computer, Data Terminal, or Modem**.

J412 Pin Connections

Pin	Name
3	Received Data
2	Transmitted Data
8	Request to Send
7	Clear to Send
5	Signal Ground

Figure 2-6, Setting Up The Enhanced Monitoring System RS-232 Interface

Controlling 1261B-Linear EMS with HyperTerminal/ Win 95

To use a P/C to control the 1261B-Linear with EMS, connect an RS-232 cable to J-412 of EMS module to the P/C. (See **Figure 2-16** for cable configuration.)

Run HyperTerminal Program.

C:\accessories\HyperTerminal\HyperTrm.exe

Phone Number

Direct to Com1 or Com2

OK

Configure

Port Settings

Bits per Second	9600
Data Bits	8
Parity	None
Stop Bits	1
Flow Control	Xon/Off

OK

Settings

Emulation Autodetect or VT100

ASCII Setup

Send line ends with line feeds

Echo typed characters locally

ASCII Receiving

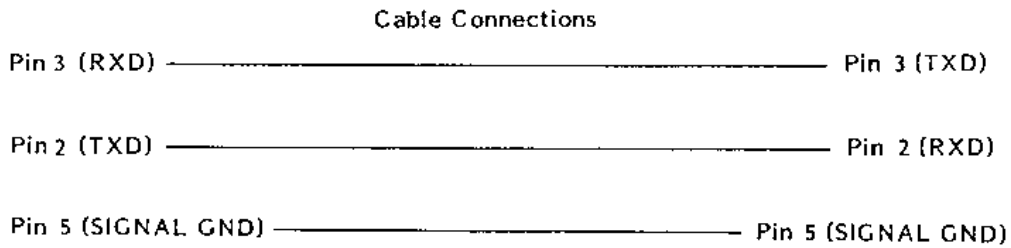
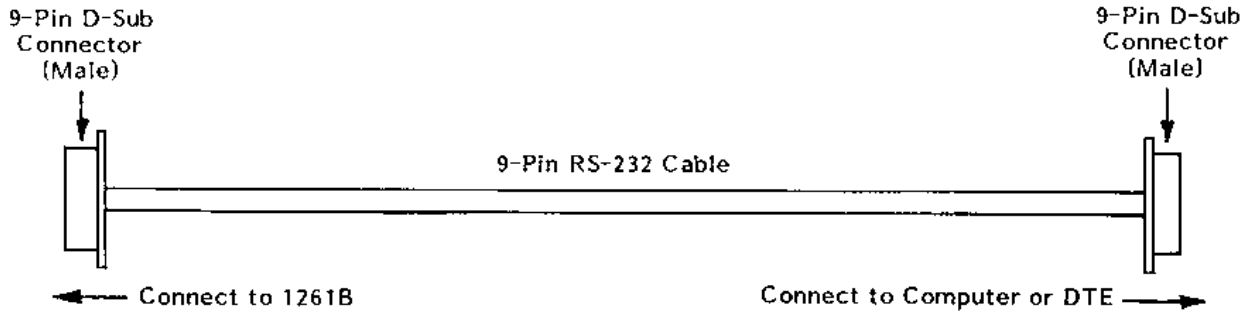
Wrap lines that exceed terminal width

OK

OK

Turn 1261B CHASSIS ON.

Response RACAL INSTRUMENTS 1261B EMS
(Check by typing *IDN?)



Note: This Figure applies ONLY when connecting 1261B to Data Terminal equipment, such as a Computer or DTE.

Figure 2-7, RS-232 Connection With a Computer, Data Terminal or Modem

Installing The *VXIplug&play* Software

After the EMS has been installed into the 1261B mainframe, the *VXIplug&play* software may be used to communicate with the EMS. To install the software, first power on the mainframe (see **Powering On The Mainframe** in Chapter 3), then perform the following operations:

1. Start Windows on your computer if it is not already running.
2. Insert the *VXIplug&play* installation disk #1 into the 3-1/2" floppy disk drive.
3. Run the SETUP program on the installation disk.
4. Follow the instructions presented by the SETUP program.

After the SETUP program has completed, the executable Soft Front Panel program may be run. To run the Soft Front Panel, ensure that the following conditions are met:

1. The computer is connected to the 1261B VXI mainframe via a MXI/VXI interface, a GPIB/VXI interface, or the computer is an embedded VXI computer.
2. VISA is loaded onto your system. VISA is a library of functions which provide communication between a computer and instruments (GPIB and VXI). VISA may be obtained from the manufacturer of the MXI/VXI, GPIB/VXI, or embedded computer.
3. The 1261B mainframe has power applied and the power switch has been turned ON.
4. For the MXI/VXI and embedded computers, the resource manager program has been run since the 1261B mainframe power was last turned ON.

To run the Soft Front Panel, "double-click" on the 1261B EMS Front Panel" icon in the "VXIPNP" Windows Group.

If the four conditions above are met, the Soft Front Panel program will automatically locate the EMS in the 1261B Mainframe. The Soft Front Panel program will display the VXI logical address of the EMS, and the "Active" LED on the Soft Front Panel will be green.

This page was left intentionally blank.

Chapter 3

OPERATING THE 1261B-Linear

Using This Chapter

Use this Chapter to:

Review front and rear panel controls and indicators.

Power the mainframe on/off.

Review **Monitoring Basics** guide to front panel visual system health status.

Perform basic functional check of the mainframe VXI voltages.

Review Rear Panel Switch and Connector Reference for pinouts and descriptions of all rear panel connectors.

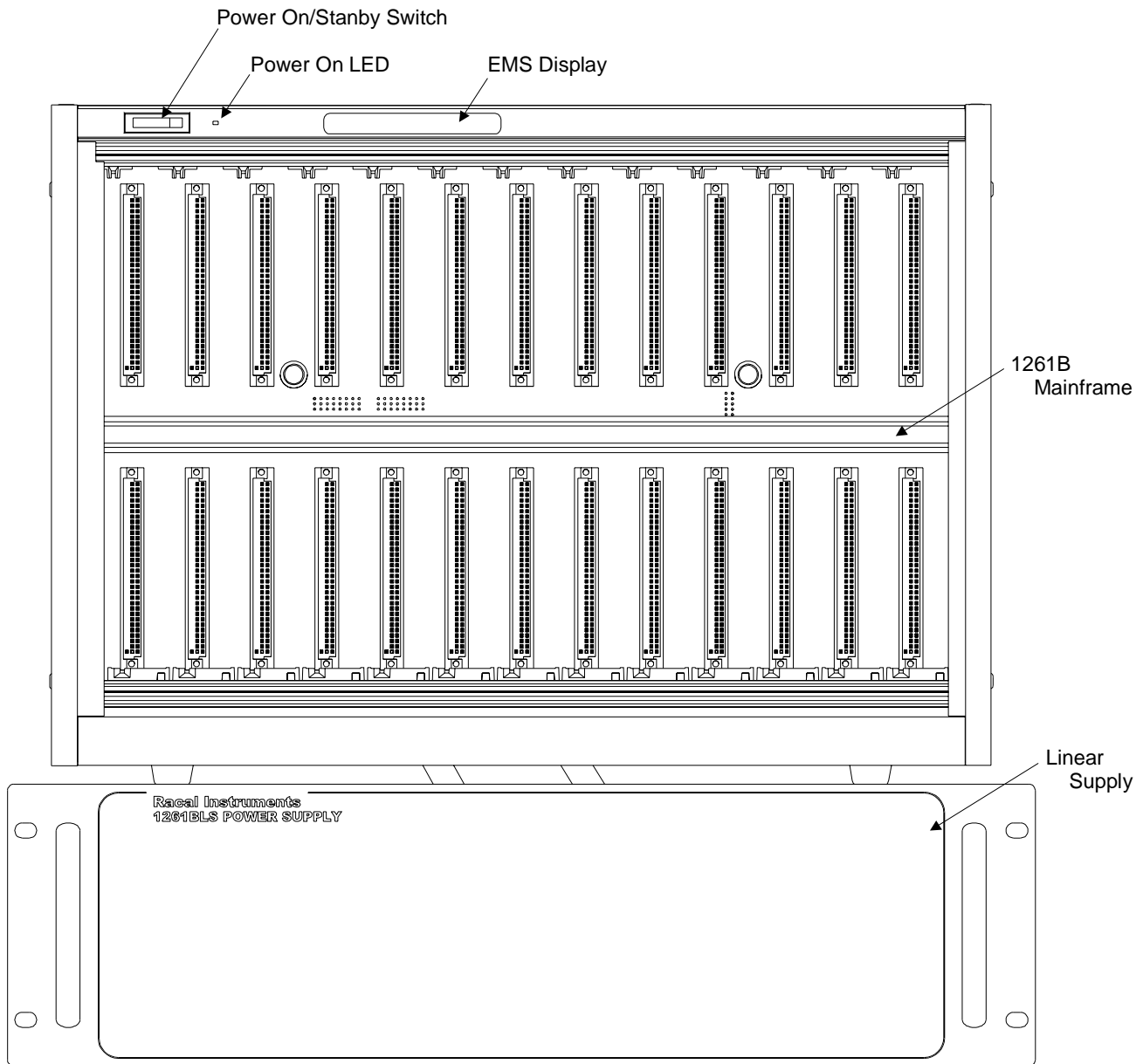


Figure 3-1, Front View

Powering On the 1261B-Linear

Refer to **Figures 3-1 through 3-2** and the instructions below to power on the 1261B-Linear.

- ① Connect cable assemblies 407704-XX1 and 407704-XX2.
- ② Connect AC power cord to 1261B mainframe and Linear Supply box.
3. Turn on system by setting front panel Power Switch to “ON” position.

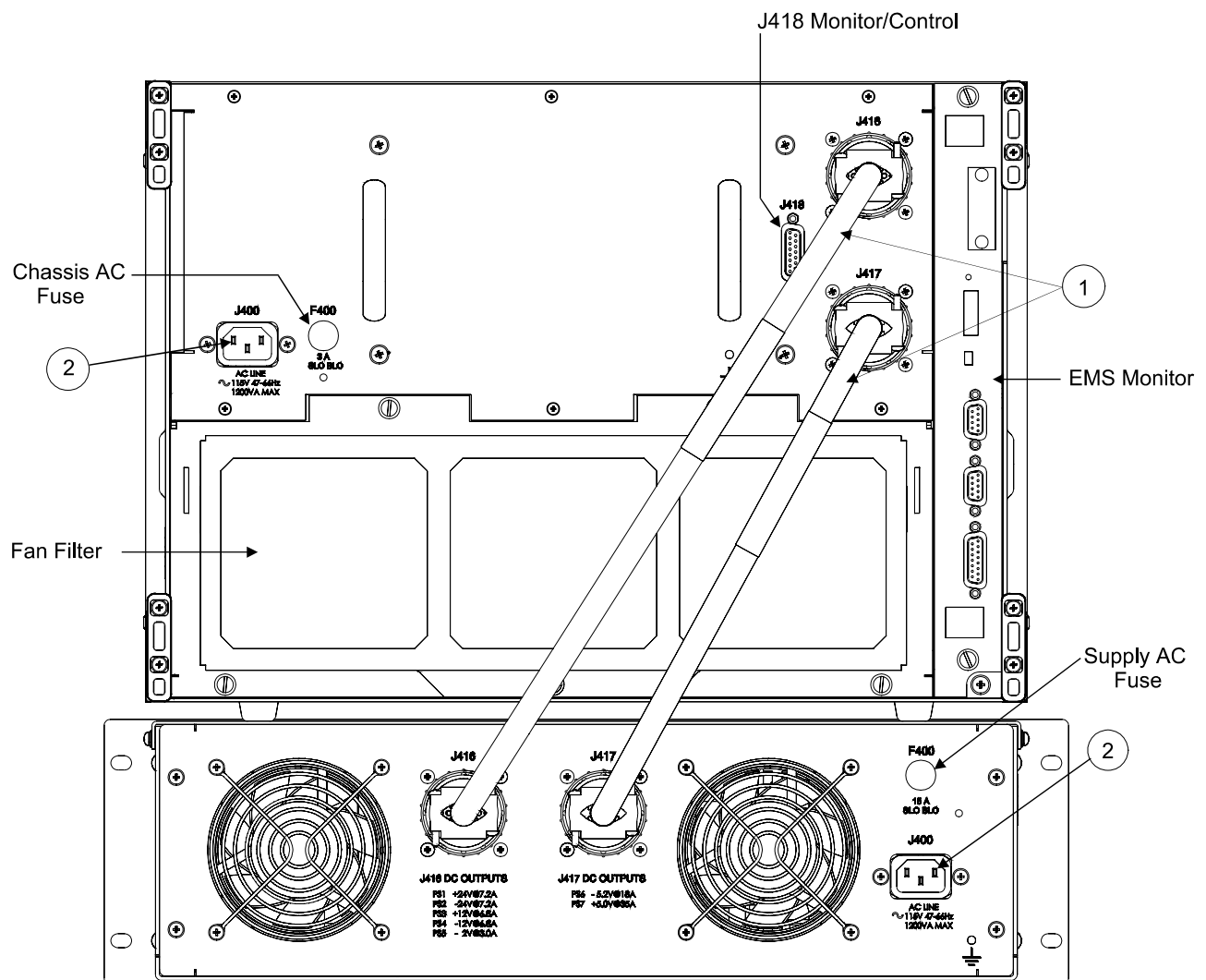


Figure 3-2, Rear View / Connections

Monitoring Basics

Refer to **Figures 3-1 to 3-2** while using **Table 3-1** to interpret system monitor information. This section applies to basic features of the Enhanced (EMS) Monitoring System. See **Section 4 Using The Enhanced Monitor** for additional EMS capabilities. Refer to Section 7 **Troubleshooting** if a LED indicator or display message in the **“What You See On The Front Panel”** column is other than the message “System OK”.

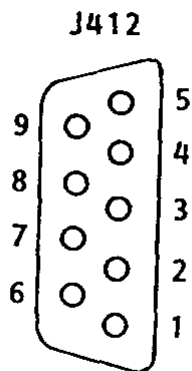
Table 3-1, Monitoring Basics

WHAT YOU SEE ON THE FRONT PANEL	WHAT IT MEANS	WHERE TO VERIFY																												
“System OK”	<ul style="list-style-type: none"> VXI Voltages are within acceptable limits <table> <tr> <td>+4.56V</td> <td>+5V Rail</td> <td>+5.50V</td> </tr> <tr> <td>+10.95V</td> <td>+12V Rail</td> <td>+13.20V</td> </tr> <tr> <td>+21.90V</td> <td>+24V Rail</td> <td>+26.40V</td> </tr> <tr> <td>-2.20V</td> <td>-2V Rail</td> <td>-1.83V</td> </tr> <tr> <td>-5.72V</td> <td>-5.2V Rail</td> <td>-4.75V</td> </tr> <tr> <td>-13.20V</td> <td>-12V Rail</td> <td>-10.95V</td> </tr> <tr> <td>-26.40V</td> <td>-24V Rail</td> <td>-21.90V</td> </tr> </table>	+4.56V	+5V Rail	+5.50V	+10.95V	+12V Rail	+13.20V	+21.90V	+24V Rail	+26.40V	-2.20V	-2V Rail	-1.83V	-5.72V	-5.2V Rail	-4.75V	-13.20V	-12V Rail	-10.95V	-26.40V	-24V Rail	-21.90V	<ul style="list-style-type: none"> At rear panel connector J418 <table> <tr> <td>J418 Pin 3</td> </tr> <tr> <td>J418 Pin 2</td> </tr> <tr> <td>J418 Pin 9</td> </tr> <tr> <td>J418 Pin 12</td> </tr> <tr> <td>J418 Pin 4</td> </tr> <tr> <td>J418 Pin 10</td> </tr> <tr> <td>J418 Pin 1</td> </tr> </table> <p>Use J418 Pin 7 or 11 as Ground reference.</p>	J418 Pin 3	J418 Pin 2	J418 Pin 9	J418 Pin 12	J418 Pin 4	J418 Pin 10	J418 Pin 1
+4.56V	+5V Rail	+5.50V																												
+10.95V	+12V Rail	+13.20V																												
+21.90V	+24V Rail	+26.40V																												
-2.20V	-2V Rail	-1.83V																												
-5.72V	-5.2V Rail	-4.75V																												
-13.20V	-12V Rail	-10.95V																												
-26.40V	-24V Rail	-21.90V																												
J418 Pin 3																														
J418 Pin 2																														
J418 Pin 9																														
J418 Pin 12																														
J418 Pin 4																														
J418 Pin 10																														
J418 Pin 1																														
“System OK”	<ul style="list-style-type: none"> Maximum slot temperature 75°C Maximum slot temperature rise 20°C 	<ul style="list-style-type: none"> Query the EMS. Refer to “Measuring VXI Slot Temperature” in Chapter 4. 																												
“System OK”	<ul style="list-style-type: none"> Module cooling fans are operating above acceptable limit <table> <tr> <td>Fan Speed</td> <td>2000 RPM (EMS units)</td> </tr> </table>	Fan Speed	2000 RPM (EMS units)	<ul style="list-style-type: none"> J414 Pin 6, 7, 8 on EMS. <p>2 Pulses per Revolution, TTL Pulse Train</p> <p>Use J414 Pin 9 or 10 as ground reference</p>																										
Fan Speed	2000 RPM (EMS units)																													

Table 3-2, EMS Rear Panel Switches

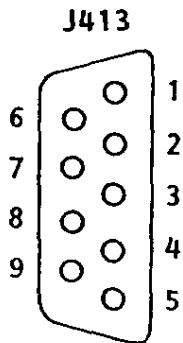
Switch Reference	Description
FAN SPEED	Fan Speed Switch. This switch enables fan speed control when set the VAR (Variable) position. Set this switch to MAX to run fans at full speed. In the VAR position the monitoring system automatically controls the speed of the fans depending on the air temperature and the amount of cooling required by the modules.
LOGICAL ADDRESS	VXI Logical Address Switch. Refer to Chapter 2 Enhanced Monitor VXI Logical Address Switch .

Table 3-3, J412 EMS RS-232 Port



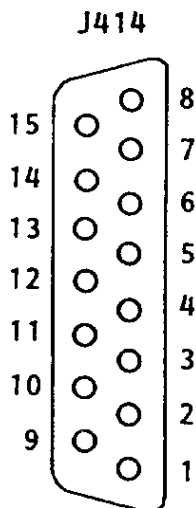
Pin	Signal	Description
2	TXDA	Transmit Data
3	RXDA	Received Data
5	GND	Logic Ground
7	CTS	Clear To Send
8	RTS	Request To Send
1,4,6,9	RSV	Reserved

Table 3-4, J413 EMS TTL Trigger Connector



Pin	Signal	Description
1	TRIG IN	TTL level input signal which is routed to any one of the eight TTLTRIG lines on the VXI backplane, with or without a programmable delay applied.
2	TRIG OUT	TTL output signal which is routed from any one of the eight TTLTRIG lines on the VXI backplane, with or without a programmable delay applied.
6,7,8	GND	Logic Ground
3-5,9	RSV	Reserved

Table 3-5, J414 EMS Rear Panel Monitor



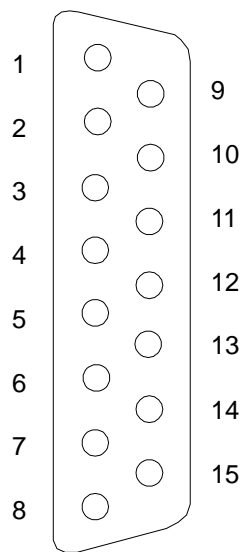
Pin	Signal	Description
1	+5V	+5V for powering external user circuitry, etc. (1 A max.)
2	+12V	+12V for powering external user circuitry, etc. (1 A max.)
4	T _{max}	Output signal proportional to the maximum absolute temperature of the 13 modules (100 mV/°C, 0 V corresponds to 0°C)
5	Fan Speed Control	Output signal proportional to the fan speed. 0V = Minimum fan speed 1V = Maximum fan speed
6	TACH1	TTL output proportional to the speed of Fan 1 (2 pulses/revolution)
7	TACH2	TTL output proportional to the speed of Fan 2 (2 pulses/revolution)
8	TACH3	TTL output proportional to the speed of Fan 3 (2 pulses/revolution)
9-11	GND	Logic Ground
12-15	RSV	Reserved

Table 3-6, J418 Rear Panel Monitor Connector

Pin	Signal	Description
1	-24 VMON	VXI bus Voltage Monitor Output
2	+12 VMON	VXIbus Voltage Monitor Output
3	+5 VMON	VXIbus Voltage Monitor Output
4	-5.2 VMON	VXIbus Voltage Monitor Output
5	+5 STANDBY	VXIbus +5V Standby Input
6	ACFAIL*	VXI bus ACFAIL* Input or Monitor Output (see note)
7	GND	LogicGround
8	RSV	Reserved
9	+24 VMON	VXIbus Voltage Monitor Output
10	-12 VMON	VXIbus Voltage Monitor Output
11	GND	LogicGround
12	-2V MON	VXIbus Voltage Monitor Output
13	+24VHS	+24V House Keeping Supply Voltage Monitor Output
14	SYSRESET*	VXIbus SYSRESET* Input or Monitor Output (see note)
15	RSV	Reserved

Note: Refer to VXIbus and VMEbus specifications for details on using the ACFAIL* and SYSRESET* signals. If you use these signals, do not violate VXIbus or VMEbus electrical specification.

J418



Backplane Connectors

Table 3-7 shows the P1 connector pinouts for all slots in the 1261B-Linear.

Table 3-8 shows the P2 connector pinouts for all non-slot 0 slots.

Table 3-9 shows the P2 connector pinouts for the VXIbus slot 0.

Table 3-7, P1 Connector Pinouts

Pin	RowA	RowB	RowC
1	D00	BBSY*	D08
2	D01	BCLR*	D09
3	D02	ACFAIL*	D10
4	D03	BG0IN*	D11
5	D04	BG0OUT*	D12
6	D05	BG1IN*	D13
7	D06	BG1OUT*	D14
8	D07	BG2IN*	D15
9	GND	BG2OUT*	GND
10	SYSCLK	BG3IN*	SYSFAIL*
11	GND	BG3OUT*	BERR*
12	DS1*	BR0*	SYSRESET*
13	DS0*	BR1*	LWORD*
14	WRITE*	BR2*	AM5
15	GND	BR3*	A23
16	DTACK*	AM0	A22
17	GND	AM1	A21
18	AS*	AM2	A20
19	GND	AM3	A19
20	IACK*	GND	A18
21	IACKIN*	SERCLK	A17
22	IACKOUT*	SERDAT*	A16
23	AM4	GND	A15
24	A07	IRQ7*	A14
25	A06	IRQ6*	A13
26	A05	IRQ5*	A12
27	A04	IRQ4*	A11
28	A03	IRQ3	A10
29	A02	IRQ2*	A09
30	A01	IRQ1*	A08
31	-12V	+5V STDBY	+12V
32	+5V	+5V	+5V

Table 3-8, P2 Connector Pinouts For All Non-Slot 0 Location

Pin	RowA	RowB	RowC
1	ECLTRG0	+5V	CLK10+
2	-2V	GND	CLK10-
3	ECLTRG1	RSV1	GND
4	GND	A24	-5.2V
5	LBUSA00	A25	LBUSC00
6	LBUSA01	A26	LBUSC01
7	-5.2V	A27	GND
8	LBUSA02	A28	LBUSC02
9	LBUSA03	A29	LBUSC03
10	GND	A30	GND
11	LBUSA04	A31	LBUSC04
12	LBUSA05	GND	LBUSC05
13	-5.2V	+5V	-2V
14	LBUSA06	D16	LBUSC06
15	LBUSA07	D17	LBUSC07
16	GND	D18	GND
17	LBUSA08	D19	LBUSC08
18	LBUSA09	D20	LBUSC09
19	-5.2V	D21	-5.2V
20	LBUSA10	D22	LBUSC10
21	LBUSA11	D23	LBUSC11
22	GND	GND	GND
23	TTLTRG0*	D24	TTLTRG1*
24	TTLTRG2*	D25	TTLTRG3*
25	+5V	D26	GND
26	TTLTRG4*	D27	TTLTRG5*
27	TTLTRG6*	D28	TTLTRG7*
28	GND	D29	GND
29	RSV2	D30	RSV3
30	MODID	D31	GND
31	GND	GND	+24V
32	SUMBUS	+5V	-24V

Table 3-9, P2 Connector Pinouts for VXIbus Slot 0

Pin	RowA	RowB	RowC
1	ECLTRG0	+5V	CLK10+
2	-2V	GND	CLK10-
3	ECLTRG1	RSV1	GND
4	GND	A24	-5.2V
5	MODID12	A25	LBUSC00
6	MODID11	A26	LBUSC01
7	-5.2V	A27	GND
8	MODID10	A28	LBUSC02
9	MODID09	A29	LBUSC03
10	GND	A30	GND
11	MODID08	A31	LBUSC04
12	MODID07	GND	LBUSC05
13	-5.2V	+5V	-2V
14	MODID06	D16	LBUSC06
15	MODID05	D17	LBUSC07
16	GND	D18	GND
17	MODID04	D19	LBUSC08
18	MODID03	D20	LBUSC09
19	-5.2V	D21	-5.2V
20	MODID02	D22	LBUSC10
21	MODID01	D23	LBUSC11
22	GND	GND	GND
23	TTLTRG0*	D24	TTLTRG1*
24	TTLTRG2*	D25	TTLTRG3*
25	+5V	D26	GND
26	TTLTRG4*	D27	TTLTRG5*
27	TTLTRG6*	D28	TTLTRG7*
28	GND	D29	GND
29	RSV2	D30	RSV3
30	MODID00	D31	GND
31	GND	GND	+24V
32	SUMBUS	+5V	-24V

Basic Functional Check

The functional check consists of checking the 1261B power supply voltages to the VXIbus limits at rear panel connector J418 using a digital voltmeter.

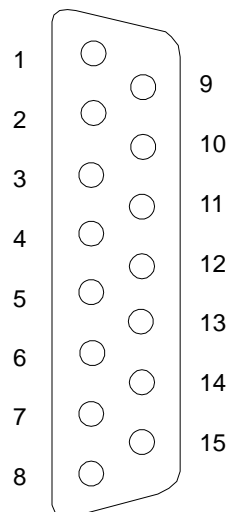
Referring to **Table 3-10** connect one lead of the voltmeter to a supply pin at J418. Connect the reference lead of the voltmeter to one of the ground pins. Compare each voltage reading to the values listed in **Table 3-10**.

Table 3-10, Power Supply Voltages at J418

J418Pin	Supply	VXI Acceptable Voltage Range
3	+5V	4.875V to 5.25V
10	-12V	-12.6 to 11.64V
1	-24V	25.2V to -23.28V
12	-2V	-2.1V to -1.9V
2	+12V	11.64V to 12.6V
9	+24V	23.28V to 25.2V
4	-5.2V	-5.46V to -5.044V
7,11	LogicGround	

If the voltages are within the specified ranges, the mainframe complies with VXI voltage limit specifications.

J418



This page was left intentionally blank.

USING THE ENHANCED MONITORING SYSTEM

Overview

This chapter contains information about how to operate the 1261B-Linear Enhanced Monitoring System (EMS). The instrument can be programmed using a set of SCPI commands. A list of SCPI commands, implemented by the 1261B-Linear EMS, is given in **Table 5-1**. The following paragraphs describe the various modes of operation and give examples on how to program the 1261B EMS.

NOTE:

The 1261B-Linear does not support current monitoring

Power On/Reset Defaults

After executing a software reset, the EMS defaults to the conditions shown in **Table 4-1**. A complete list of all parameters and their default values is given in Chapter 5.

Upon power-on, the EMS state will be reset to the power-on state described in **Table 4-1**. If DIP switch SW1-8 is set, the instrument state will be recalled from nonvolatile memory location 0. As shipped from the factory, nonvolatile location 0 holds the instrument state as described in **Table 4-1**. The power-on state of the EMS can be changed by overwriting the contents of nonvolatile location 0 by using the command:

*SAV 0

The command below may be used to place the instrument in its default state as described in **Table 4-1** on the following page.

*RST

Table 4-1, Default Limit Settings After Power On, *RST

Power Supply Voltage Limits:		
Power Supply (PS)	Maximum	Minimum
+5V	5.50V	4.56V
-5.2V	-4.75V	-5.72V
-2V	-1.83V	-2.20V
+24V	26.40V	21.90V
-24V	-21.90V	-26.40V
+12V	13.20V	10.95V
-12V	-10.95V	-13.20V

Power Supply Current Limit: (Not applicable to 1261B-Linear)

Fan Speed Limit: 2000 RPM Minimum
4999 RPM Maximum

Absolute Temperature Limit: 55°C
Ambient Temperature Limit: 55°C
Slot Temperature Rise Limit: 30.0°C
Number of VXI Bus Errors/IACKs: 0 (disabled)
Power On Time Limit: 1 year
Cumulative Power-On Time Limit: 5 years
Filter Service Time Limit: 720 hours of power-on time (30 days)
Trigger In/Trigger Out Delay: 0.0 Seconds
TRIG IN Input: Disconnected
TRIG OUT Output: Disconnected
Front Panel Display State: On
Front Panel User Message: None
RS-232 Baud Rate: 9600 (set by DIP switch SW1)
RS-232 Parity: None (set by DIP switch SW1)
RS-232 Data Bits: 8 (set by DIP switch SW1)
RS-232 Stop Bits: 1 (set by DIP switch SW1)

What To Do Now

When writing commands to operate the 1261B EMS, follow the instructions in this chapter to understand the meaning and response that each command generates. Examples contained in the following paragraphs show basic techniques on how to program output waveforms.

Measuring Power Supply Voltages

The “MEAS:VOLT” command is used to measure the voltage presently being output by one of the seven VXI power supplies. The following commands may be used:

MEAS:VOLT1?	-- measure +5V PS Voltage
MEAS:VOLT2?	-- measure -5.2V PS Voltage
MEAS:VOLT3?	-- measure -2V PS Voltage
MEAS:VOLT4?	-- measure +24V PS Voltage
MEAS:VOLT5?	-- measure -24V PS Voltage
MEAS:VOLT6?	-- measure +12V PS Voltage
MEAS:VOLT7?	-- measure -12V PS Voltage

Each of these causes the 1261B EMS to reply with a value formatted as a real number. The number is rounded to the nearest 0.01 VDC.

Measuring Ambient Temperature

The “MEAS:TEMP14” command is used to measure the ambient temperature.

MEAS:TEMP14?	-- measure ambient temperature
--------------	--------------------------------

This command causes the 1261B EMS to reply with a value formatted as a real number. The number is rounded to the nearest 1 degree Celsius.

Measuring VXI Slot Temperature

Each VXI slot temperature may be read individually. The following commands may be used to read the specified VXI slot temperature:

MEAS:TEMP1?	-- read slot 0 temperature
MEAS:TEMP2?	-- read slot 1 temperature
MEAS:TEMP3?	-- read slot 2 temperature
MEAS:TEMP4?	-- read slot 3 temperature
MEAS:TEMP5?	-- read slot 4 temperature
MEAS:TEMP6?	-- read slot 5 temperature
MEAS:TEMP7?	-- read slot 6 temperature
MEAS:TEMP8?	-- read slot 7 temperature
MEAS:TEMP9?	-- read slot 8 temperature
MEAS:TEMP10?	-- read slot 9 temperature
MEAS:TEMP11?	-- read slot 10 temperature
MEAS:TEMP12?	-- read slot 11 temperature
MEAS:TEMP13?	-- read slot 12 temperature

Each of these queries causes the 1261B EMS to reply with a value formatted as a real number. The number is rounded to the nearest 0.1 degree Celsius.

Note that the temperature rise of any slot may be computed by the difference between the ambient temperature and the slot's temperature ((MEAS:TEMPX?) - (MEAS:TEMP14?)).

Measuring Fan Speed

Each of the three fan speeds may be read individually. The following commands may be used to read the fan speed:

MEAS:FREQ1?	-- read SLOWEST fan speed
MEAS:FREQ2?	-- read Fan #1 fan speed
MEAS:FREQ3?	-- read Fan #2 fan speed
MEAS:FREQ4?	-- read Fan #3 fan speed

Each of these queries causes the 1261B EMS to reply with an integer value. The fan speed is rounded to the nearest whole number. The unit of measure is RPM (revolutions per minute).

Measuring Power Supply Currents

This feature is not available in the 1261B-Linear.

Measuring Elapsed Time

The 1261B EMS monitors three elapsed time attributes. These are as follows:

- Power-on Time

The number of seconds since the power switch was switched from the OFF state to the ON state.

- Cumulative Power-on Time

The total number of seconds which the power switch has been in the ON state from the time the EMS was installed.

- Filter Service Time

The total number of seconds which the power switch has been in the ON state since the filter was last serviced (and the "SENSE:TIME3:CLEAR" command was executed).

The following commands may be used to read the elapsed time attributes:

```
MEAS:TIME1?      --read power-on time
MEAS:TIME2?      --read cumulative power-on time
MEAS:TIME3?      --read power-on time since last
                  filter service
```

Each of these queries causes the 1261B EMS to reply with an integer value. The unit of measure is seconds.

Reading The Present State of VXI Signals

The 1261B EMS has the capability to read the present state of the VXI SYSFAIL*, ACFAIL*, and AS* (address strobe) lines. The following commands may be used to read the present state of each of these lines:

```
MEAS:VXI:ACFAIL?  -- read ACFAIL* line
MEAS:VXI:SYSFAIL? -- read SYSFAIL* line
MEAS:VXI:ASTROBE? -- read AS* line
```

Each of these queries causes the 1261B EMS to reply with a 1 if the line is high, or a 0 if the line is low. Note that since each of these lines is asserted when low, the normal reply should be "1".

Monitoring The VXI System

The 1261B EMS has the ability to monitor the VXI power supplies' voltage, VXI slot temperatures, fan speeds, and select VXI signals. When one of these is outside the user-specified limits, an interrupt can be generated. This allows the system controller (computer) to effectively monitor the VXI subsystem without having to continually poll the 1261B EMS.

Each attribute is checked once per second, at a minimum, by the EMS. If the attribute value is outside the programmed limits, an "alarm" condition is assumed to exist. If the EMS has been told to generate an interrupt when the alarm condition exists, an interrupt will be sent to the system controller (by asserting one of the VXI interrupt lines IRQ1 to IRQ7).

When the system controller detects the interrupt, it can read status registers on the EMS to determine which attribute is at fault. It can then query the EMS to determine the present value of the attribute. It can also query the EMS to determine the time and date of the alarm condition.

Programming the EMS to perform this monitoring is done as a two-step process:

- 1) Program the tolerance limits for the attribute
- 2) Program the status registers to generate an interrupt when the attribute is outside its tolerance limits.

Programming The Tolerance Limits

The various SENSE commands are used to set the programmable tolerance limits for the various attributes monitored by the 1261B EMS. The following paragraphs describe how to set each attribute's tolerance limit or limits. Refer to **Table 5-2** for a description of the range of values accepted for each command.

Programming The Power Supply Voltage Tolerance Limits

The power supply voltages are monitored to ensure that they are between an upper and a lower limit. The lower voltage tolerance limit is always the most negative, and the upper voltage tolerance limit is always the most positive. The following commands may be used to set the power supply voltage tolerance limits:

SENSE:VOLT1:RANGE:UPPER 5.2	-- +5V upper limit
SENSE:VOLT1:RANGE:LOWER 4.8	-- +5V lower limit
SENSE:VOLT2:RANGE:UPPER -5.0	-- -5.2V upper limit
SENSE:VOLT2:RANGE:LOWER -5.4	-- -5.2V lower limit
SENSE:VOLT3:RANGE:UPPER -1.8	-- -2V upper limit
SENSE:VOLT3:RANGE:LOWER -2.2	-- -2V lower limit
SENSE:VOLT4:RANGE:UPPER 25.9	-- +24V upper limit
SENSE:VOLT4:RANGE:LOWER 23.1	-- +24V lower limit
SENSE:VOLT5:RANGE:UPPER -23.1	-- -24V upper limit
SENSE:VOLT5:RANGE:LOWER -25.9	-- -24V lower limit
SENSE:VOLT6:RANGE:UPPER 12.9	-- +12V upper limit
SENSE:VOLT1:RANGE:LOWER 11.1	-- +12V lower limit
SENSE:VOLT7:RANGE:UPPER -11.1	-- -12V upper limit
SENSE:VOLT7:RANGE:LOWER -12.9	-- -12V lower limit

Each of these commands has an associated query. For example, the query:

```
SENSE:VOLT5:RANGE:LOWER?
```

reads the lower voltage tolerance limit for the -24V Power Supply.

Refer to **Table 5-2** for a description of a range of values accepted for this command.

Programming The Power Supply Current Tolerance Limits

This feature is not available in the 1261B-Linear.

Programming The Fan Speed Tolerance Limits

The fan speeds are monitored to ensure that they are between the upper and lower limits. The following commands may be used to set the fan speed tolerance limits.

```
SENSE:FREQ1:RANGE:UPPER 6500    -- all 3 fans, upper
                                limit
SENSE:FREQ1:RANGE:LOWER 2000    -- all 3 fans, lower
                                limit
SENSE:FREQ2:RANGE:UPPER 7220    -- fan #1, upper limit
SENSE:FREQ2:RANGE:LOWER 3120    -- fan #1, lower limit
SENSE:FREQ3:RANGE:UPPER 6970    -- fan #2, upper limit
SENSE:FREQ3:RANGE:LOWER 2870    -- fan #2, lower limit
SENSE:FREQ4:RANGE:UPPER 7220    -- fan #3, upper limit
SENSE:FREQ4:RANGE:LOWER 2650    -- fan #3, lower limit
```

Each of these commands has an associated query. For example, the query:

```
SENSE:FREQ4:RANGE:LOWER?
```

reads the lower fan speed tolerance limit for fan #3. Refer to **Table 5-2** for a description of a range of values accepted for this command.

Programming The Ambient Temperature Tolerance Limit

The ambient temperature is monitored to ensure that it does not exceed an upper limit. The following command may be used to set the ambient temperature limit.

```
SENSE:TEMP14:RANGE:UPPER 63.0
```

This example sets the upper limit of the ambient temperature to 63 degrees Celsius. The present upper limit for the ambient temperature may be read with the query:

```
SENSE:TEMP14:RANGE:UPPER?
```

Refer to **Table 5-2** for a description of a range of values accepted for this command.

Programming The VXI Slot Temperature Rise Tolerance Limits

Each VXI slot is individually monitored to ensure that the **temperature rise above ambient** does not exceed its programmable limit. Each VXI slot temperature rise may be programmed individually. The following commands may be used to establish the slot's upper limit for temperature rise above the measured ambient temperature.

```
SENSE:TEMP1:RANGE:UPPER 11.0    -- Slot 0 temp rise
SENSE:TEMP2:RANGE:UPPER 12.0    -- Slot 1 temp rise
SENSE:TEMP3:RANGE:UPPER 13.0    -- Slot 2 temp rise
SENSE:TEMP4:RANGE:UPPER 15.0    -- Slot 3 temp rise
SENSE:TEMP5:RANGE:UPPER 9.0 -- Slot 4 temp rise
SENSE:TEMP6:RANGE:UPPER 11.0    -- Slot 5 temp rise
SENSE:TEMP7:RANGE:UPPER 22.0    -- Slot 6 temp rise
SENSE:TEMP8:RANGE:UPPER 16.0    -- Slot 7 temp rise
SENSE:TEMP9:RANGE:UPPER 14.0    -- Slot 8 temp rise
SENSE:TEMP10:RANGE:UPPER 12.0   -- Slot 9 temp rise
SENSE:TEMP11:RANGE:UPPER 11.0   -- Slot 10 temp rise
SENSE:TEMP12:RANGE:UPPER 10.0   -- Slot 11 temp rise
SENSE:TEMP13:RANGE:UPPER 8.0    -- Slot 12 temp rise
```

Each of the commands has an associated query which may be used to read the present upper limit for the VXI slot temperature rise. For example, the command:

```
SENSE:TEMP11:RANGE:UPPER?
```

reads the presently programmed upper limit for the temperature rise in VXI slot 10. Refer to **Table 5-2** for a description of a range of values accepted for this command.

Programming The VXI Bus Error and IACKn Tolerance Limits

The EMS provides monitoring of the VXI Bus Error or IACKn events. Only one of the following events may be monitored at one time:

Bus Error (BERR*)

IACK1, IACK2, IACK3, ..., IACK7

Programming an upper limit for any of these events results in all other events being ignored by the EMS. The following commands may be used to set the upper limit for either the Bus Error or IACK events:

```
SENSE:VXI:BERR:LIMIT 255 -- set BERR limit
SENSE:VXI:IACK1:LIMIT 128 -- set IACK1 limit
SENSE:VXI:IACK2:LIMIT 233 - set IACK2 limit
SENSE:VXI:IACK3:LIMIT 1 -- set IACK3 limit
SENSE:VXI:IACK4:LIMIT 2 -- set IACK4 limit
SENSE:VXI:IACK5:LIMIT 3 -- set IACK5 limit
SENSE:VXI:IACK6:LIMIT 44 -- set IACK6 limit
SENSE:VXI:IACK7:LIMIT 113 -- set IACK7 limit
```

Each limit may be set to an integer value between 0 and 255. Setting the limit to 0 disables the monitoring of the BERR and all IACK lines.

Each of the commands has an associated query which may be used to read the present limit for the BERR or IACK line. For example, the query:

```
SENSE:VXI:IACK5:LIMIT?
```

reads the presently programmed limit for the IACK5 line. Refer to **Table 5-2** for a description of a range of values accepted for this command.

Reading The VXI Bus Error and IACKn Counters

The present count of Bus Error (BERR) or Interrupt Acknowledge cycles (IACKn) may be read back from the EMS. Only the presently monitored event will return a non-zero count value; all others will return a count of 0. For example, if the "SENSE:VXI:IACK3:LIMIT 7" command is received, then the BERR, IACK1, IACK2, and IACK4 through IACK7 count values will be returned as zero.

The following queries may be used to read the present count of VXI Bus Error and Interrupt Acknowledge events.

```
SENSE:VXI:BERR:COUNT? -- read BERR count
SENSE:VXI:IACK1:COUNT? -- read IACK1 count
SENSE:VXI:IACK2:COUNT? -- read IACK2 count
SENSE:VXI:IACK3:COUNT? -- read IACK3 count
SENSE:VXI:IACK4:COUNT? -- read IACK4 count
SENSE:VXI:IACK5:COUNT? -- read IACK5 count
SENSE:VXI:IACK6:COUNT? -- read IACK6 count
SENSE:VXI:IACK7:COUNT? -- read IACK7 count
```

Clearing The VXI Bus Error and IACKn Counters

The present count of Bus Error (BERR) or Interrupt Acknowledge cycles (IACKn) may be cleared to zero. This is necessary since the count increases to a maximum value of 256. Once the count reaches 256, the only way to clear it is to use the command described below (or to select some other IACKn or BERR line for monitoring).

The following commands may be used to clear the BERR or IACKn counters:

```
SENSE:VXI:BERR:CLEAR -- clear BERR counter
SENSE:VXI:IACK1:CLEAR -- clear IACK1 counter
SENSE:VXI:IACK2:CLEAR -- clear IACK2 counter
SENSE:VXI:IACK3:CLEAR -- clear IACK3 counter
SENSE:VXI:IACK4:CLEAR -- clear IACK4 counter
SENSE:VXI:IACK5:CLEAR -- clear IACK5 counter
SENSE:VXI:IACK6:CLEAR -- clear IACK6 counter
SENSE:VXI:IACK7:CLEAR -- clear IACK7 counter
```

This command is meaningful only if the specified event is presently being monitored. If, for example, the IACK3 line is presently being monitored (because a "SENSE:VXI:IACK3:LIMIT" command was executed), then clearing the counter for the BERR event will have no effect.

Enabling and Disabling The Current Sharing Feature

This feature is not available on the 1261B-Linear.

Generating an Interrupt When an Alarm Condition is Detected

The previous paragraphs have described how to program tolerance limits. When one of the attributes monitored by the EMS exceeds its tolerance limits, an alarm condition exists. The following paragraphs describe how to program the EMS to generate an interrupt when it detects an alarm condition.

The EMS uses the SCPI-defined mechanism for generating interrupts based on out-of-tolerance conditions. The EMS implements a 3-level hierarchy of status registers to provide for enabling and disabling of interrupts based upon the individual VXI attributes monitored.

At the highest level, a separate condition, event, and enable register is maintained for each of the following attributes:

Power Supply Voltages
 Fan Speed
 VXI Slot Temperatures
 Elapsed Time
 VXI Bus Error and IACK Events

Thus, there is a “Voltage Condition Register”, a “Voltage Event Register”, a “Voltage Enable Register”, and so on.

The “Condition Register” holds the present status of each of the individual items monitored. For example, the “Voltage Condition Register” has a total of seven meaningful bits (See **Figure 4-1**). Each bit represents the present in-tolerance/out-of-tolerance state of a single power supply voltage.

Bit 0 (the least significant bit) is set to 1 if the voltage for the +5V power supply voltage is out of the programmable tolerance limits. This bit is cleared to 0 if the +5V power supply voltage is within the tolerance limits.

Similarly, bit 1 is set if the -5.2V power supply voltage is out of tolerance, and cleared to 0 if it is in tolerance. The other bit assignments for the “Voltage Condition Register” are shown in **Figure 4-1**.

Figure 4-1, Voltage Condition Register

Bits 15 through 7 Not assigned/ Always 0	Bit 6 -12V PS	Bit 5 +12V PS	Bit 4 -24V PS	Bit 3 +24V PS	Bit 2 -2V PS	Bit 1 -5.2V PS	Bit 0 +5V PS
--	---------------------	---------------------	---------------------	---------------------	--------------------	----------------------	--------------------

The Voltage Condition Register may be read with the query:

```
STAT:QUES:VOLT:COND?
```

This query returns an integer value in the range 0 to 127. The value is formed by adding the bit values of each of the status bits. For example, the value of 97 (64 + 32 + 1) indicates that the -12V (64), +12V (32), and +5V (1) power supplies are out of tolerance.

Each attribute monitored by the 1261B EMS has its own “Condition Register”. The remaining condition registers may be read with the following queries:

```
STAT:QUES:TEMP:COND?    --Temperature Condition
STAT:QUES:FREQ:COND?    --Fan Condition
```


STAT:QUES:TIME:COND? --Elapsed Time Condition
 STAT:QUES:VXI:COND? --VXI BERR/IACK Condition

The bit assignments for the various Condition Registers are shown in **Tables 4-1** through **Tables 4-6**.

Table 4-2, Voltage Condition and Event Register Bit Assignments

Bit	Set When
0	+5V Power Supply Voltage out of tolerance
1	-5.2V Power Supply Voltage out of tolerance
2	-2V Power Supply Voltage out of tolerance
3	+24V Power Supply Voltage out of tolerance
4	-24V Power Supply Voltage out of tolerance
5	+12V Power Supply Voltage out of tolerance
6	-12V Power Supply Voltage out of tolerance

Table 4-3, Temperature Condition and Event Register Bit Assignments

Bit	Set When
0	VXI slot 0 temperature rise exceeds limit
1	VXI slot 1 temperature rise exceeds limit
2	VXI slot 2 temperature rise exceeds limit
3	VXI slot 3 temperature rise exceeds limit
4	VXI slot 4 temperature rise exceeds limit
5	VXI slot 5 temperature rise exceeds limit
6	VXI slot 6 temperature rise exceeds limit
7	VXI slot 7 temperature rise exceeds limit
8	VXI slot 8 temperature rise exceeds limit
9	VXI slot 9 temperature rise exceeds limit
10	VXI slot 10 temperature rise exceeds limit
11	VXI slot 11 temperature rise exceeds limit
12	VXI slot 12 temperature rise exceeds limit
13	Ambient temperature exceeds limit

Table 4-4, Fan Speed Condition and Event Register Bit Assignments

Bit	Set When
0	Fan #1, #2, or #3 is out of tolerance
1	Fan #1 is out of tolerance
2	Fan #2 is out of tolerance
3	Fan #3 is out of tolerance

Table 4-5, Time Condition and Event Register Bit Assignments

Bit	Set When
0	Present Power-On Time exceeds limit
1	Cumulative Power-On Time exceeds limit
2	Filter Service Time exceeds limit

Table 4-6, VXI Condition and Event Register Bit Assignments

Bit	Set When
0	VXI Bus Error (BERR*) Count exceeds limit
1	VXI SYSFAIL* is asserted
2	VXI ACFAIL* is asserted
3	VXI IACK1 Count exceeds limit
4	VXI IACK2 Count exceeds limit
5	VXI IACK3 Count exceeds limit
6	VXI IACK4 Count exceeds limit
7	VXI IACK5 Count exceeds limit
8	VXI IACK6 Count exceeds limit
9	VXI IACK7 Count exceeds limit

The “Event Register” holds the latched status of each of the individual items monitored. Each “Event Register” has the same bit assignment as the corresponding “Condition Register”. Thus, the “Voltage Event Register” has the same bit assignment as that shown in **Figure 4-1**.

The difference between the “Condition Register” and the “Event Register” is that the “Event Register” holds **latched** status information, while the “Condition Register” holds the **present** status information. For example, if the -12V power supply voltage goes out of tolerance and then returns in tolerance, bit 6 of the “Voltage Condition Register” will be 0 while bit 6 of the “Voltage Event Register” will be 1.

The following queries may be used to read the various attributes’ Event Registers:

```
STAT:QUES:VOLT:EVENT?  -- Voltage Event Register
STAT:QUES:TEMP:EVENT?  -- Temperature Event Reg.
STAT:QUES:FREQ:EVENT?   -- Fan Speed Event Reg.
STAT:QUES:TIME:EVENT?   -- Elapsed Time Event Reg.
STAT:QUES:VXI:EVENT?    -- VXI Event Register
```

Each time the “Event Register” is read, the bits of the “Event Register” are cleared. The bits of the “Event Register” are only set on a transition from an in-tolerance state to out-of-tolerance state. This corresponds to a 0-to-1 transition of the “Condition Register”.

The “Enable Register” determines which of the “Event Register” bits will be passed onto the next level of status reporting. The value of the “Event Register” and “Enable Register” are logically ANDed together. If any of the bits of both registers are set, the status summary bit passed onto the next level of status reporting is also set. This is shown in **Figure 4-2**.

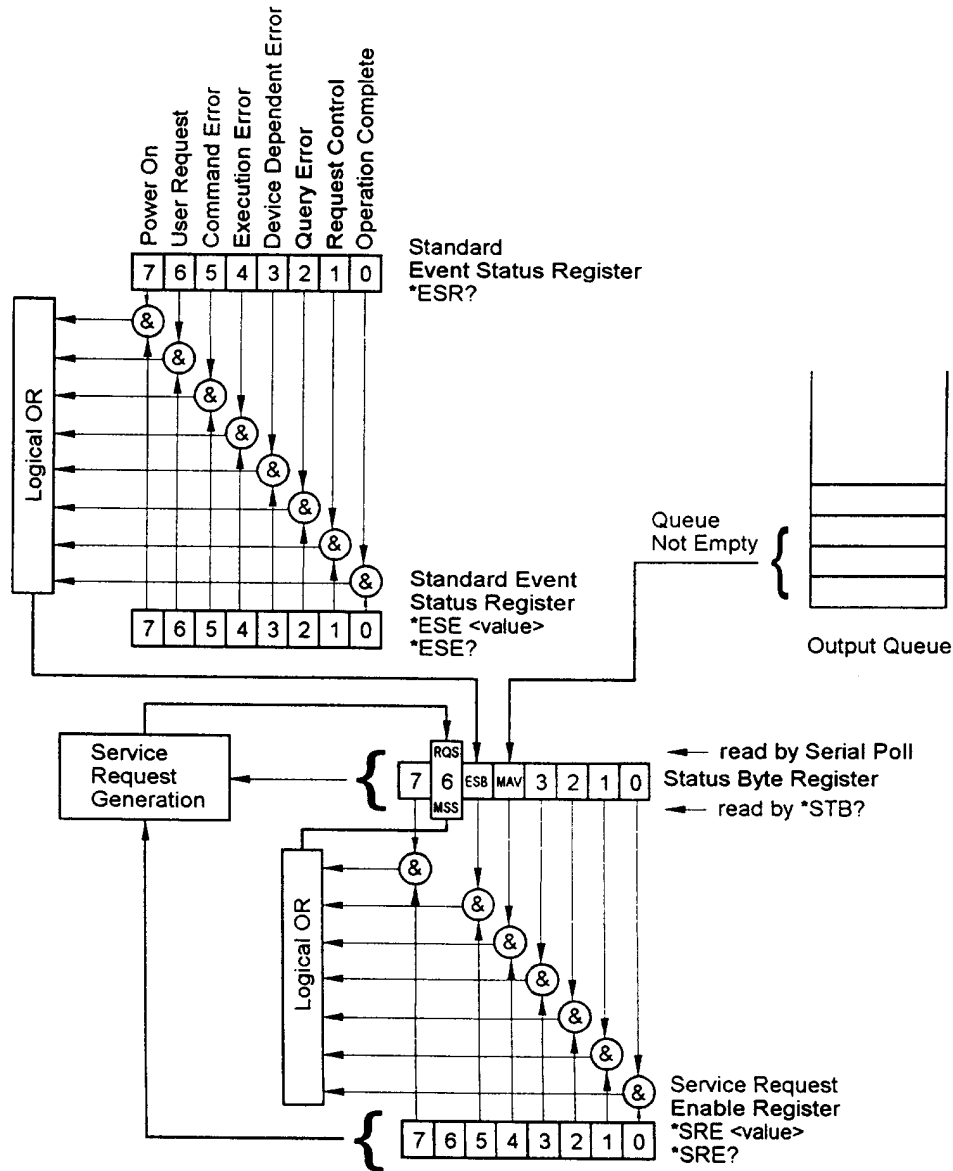


Figure 4-2, Event and Enable Registers and Summary Bit Generation

The Enable Registers for each attribute may be set with the following commands (arbitrary register values are shown)

- STAT:QUES:VOLT:ENAB 127 - Voltage Enable
- STAT:QUES:TEMP:ENAB 7 --Temperature Enable
- STAT:QUES:TIME:ENAB 15 --Elapsed Time Enable
- STAT:QUES:FREQ:ENAB 15 -- Fan Speed Enable
- STAT:QUES:VXI:ENAB 255 -- VXI Enable

Each of the monitored attributes have an Event Register and an

Enable Register. For each attribute, the registers are logically ANDed together, and the result is Ored to form a status summary bit. Each attribute is represented in the “Questionable Condition” register by a single summary bit. The bit assignments for the “Questionable Condition” register is shown in **Table 4-7**.

Table 4-7, Questionable Condition Register Bit Assignment

Bit	Set When
0	Voltage Event AND Enable bit or bits set
1	NOT Applicable
2	Time Event AND Enable bit or bits set
3	Not Assigned/always 0
4	Temperature Event AND Enable bit or bits set
5	Fan Speed Event AND Enable bit or bits set
6	Not Assigned/always 0
7	Not Assigned, always 0
8	Not Assigned, always 0
9	VXI Event AND Enable bit or bits set
10	Not Assigned, always 0
11	Not Assigned, always 0
12	Not Assigned, always 0
13	Not Assigned, always 0
14	Not Assigned, always 0
15	Not Assigned, always 0

The Questionable Condition Register may be read with the query

```
STATUS:QUES:COND?
```

This query returns an integer value in the range 0 to 575.

In addition to the Questionable Condition Register, the 1261B EMS implements a “Questionable Event Register” and a “Questionable Enable Register”. These act identically to the “Event Registers” and “Enable Registers” associated with each of the attributes.

The “Questionable Event Register” contains the latched status of

all of the attribute summary bits. This means that a bit in the “Questionable Event Register” is set when the corresponding bit of the “Questionable Condition Register” transitions from a 0 to a 1.

The Questionable Event Register may be read with the query:

```
STATUS:QUES:EVENT?
```

The “Questionable Enable Register” enables bits in the “Questionable Event Register” to set bit 3 of the IEEE-488.2 defined Status Byte. Bit 3 of the Status Byte is the status summary for all enabled “Questionable Event Register” bits.

The Questionable Enable Register may be set with the command:

```
STATUS:QUES:ENABLE 32767
```

This example enables all of the bits of the Questionable Event Register to set bit 3 of the Status Byte.

The status reporting hierarchy is shown in **Figure 4-3**.

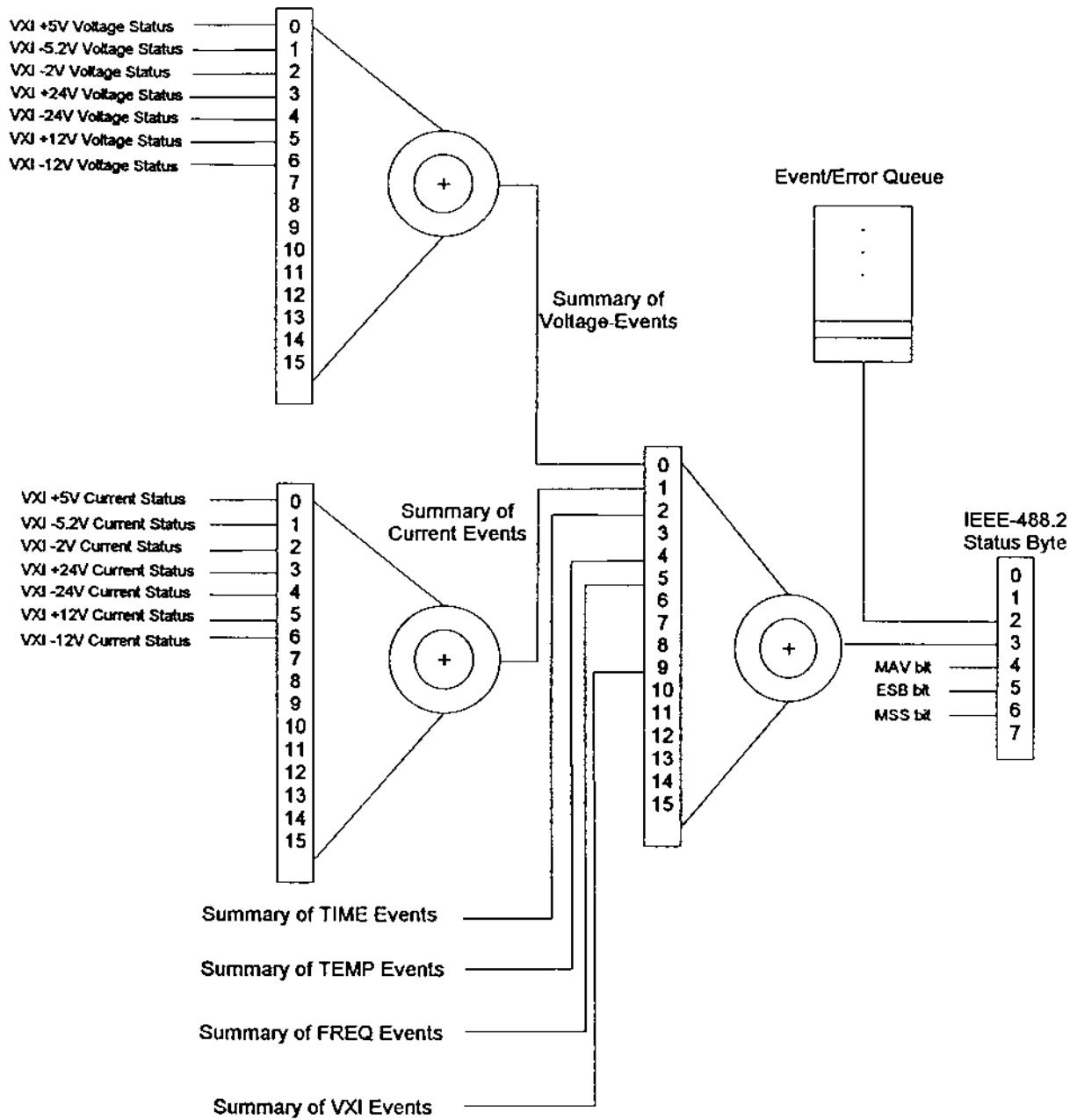


Figure 4-3, Status Reporting Hierarchy

The final step for enabling out-of-tolerance conditions to generate an interrupt is to enable bit 3 of the Status Byte to generate an interrupt. The IEEE-488.2 “*SRE” command is used to enable bits of the Status Byte to generate an interrupt. Thus, if bit 3 of the “SRE Register” value is set, then an interrupt will be generated by the EMS when bit 3 of the Status Byte becomes set.

The following example enables bit 3 and bit 0 of the Status Byte. When either of the bits transition from a 0 to a 1, an interrupt will be generated:

```
*SRE 9
```

Clearing The Filter Service Alarm

The EMS maintains a “power-on” clock. This clock counts each second that the mainframe power switch is turned to the ON state. This clock is used to determine both the cumulative power-on time and the power-on time which has elapsed since the last time the filter was cleaned.

The time interval for cleaning the filter is set using the “SENSE:TIME3:RANGE:UPPER” command. This command sets the number of seconds which must elapse the mainframe power ON before the Filter Service Alarm is generated.

The number of seconds which has elapsed (with the mainframe power on) since the last filter service may be read using the “MEAS:TIME3?” command. This command calculates the difference between the present value of the “power-on” clock and a reference time stored in an EEPROM on the EMS.

After the “SENSE:TIME3:RANGE:UPPER” time has elapsed, the Filter Service Alarm is generated. This alarm will set bit 2 of the Questionable Time Condition and Event Registers (See **Table 4-5**). These registers may be read using the “STATUS:QUES:TIME:COND?” and “STATUS:QUES:TIME:EVENT?” queries, respectively. Bit 2 of the Questionable Time Event register will be cleared the first time “STATUS:QUES:TIME:EVENT?” query is executed. Bit 2 of the Questionable Time Condition register will remain set as long as the Filter Service Alarm is active.

The Filter Service Alarm may be cleared by executing the “SENSE:TIME3:CLEAR” command. This command stores the present value of the “power-on” clock as the reference time used to calculate the elapsed filter service time. Thus, if the “SENSE:TIME3:CLEAR” command is followed immediately by a “MEAS:TIME3?” command, the “MEAS:TIME3?” command will return a value of **0**.

Therefore, the "SENSE:TIME3:CLEAR" command should be executed immediately after the filter is cleaned and mainframe power is turned on.

Change of Limit for Filter Service Alarm Example

To display a failure message after 100 days (example) of "power-on time" the following sequence may be performed:

- A. Locate DIP switch SW1-8 on the EMS board. Move the switch to ON position. This allows the EMS to read the limits at power-up from the on-board EEPROM. The limits are read from the nonvolatile location 0. This location is stored using the command "SAV 0".

- B. Using the following SCPI commands:
 1. SENSE: TIME3: CLEAR
 2. SENSE: TIME3: RANGE: UPPER 15.768E6.
15.768E6 is an example representing 15768000 or 182 days.
 3. *SAV 0

You have just set the Filter Service Alarm to be active in 182 days of power-on.

Interrupt Generation Example

As an example, suppose an interrupt is desired only when one or more of the following conditions exist:

- 1) +24V Power Supply Voltage is out of tolerance
- 2) -12V Power Supply Voltage is out of tolerance
- 3) +12V Power Supply Current is out of tolerance
- 4) -12V Power Supply Current is out of tolerance
- 5) VXI Slot 7 Temperature Rise is too high
- 6) Fan #2 speed is out of tolerance

No other condition should generate an interrupt.

To provide for this combination, execute the following commands:

- Enable +24V and -12V Power Supply Voltage only
STAT:QUES:VOLT:ENABLE 72

- Enable +12V and -12V Power Supply Current
STAT:QUES:CURR:ENABLE 96

- Enable VXI Slot 7 Temperature Rise

STAT:QUES:TEMP:ENABLE 128

-- Enable Fan #2 Speed

STAT:QUES:FREQ:ENABLE 4

-- Enable all bits of the Questionable Enable Register

STAT:QUES:ENABLE 32767

-- Enable bit 3 of the IEEE-488.2 Status Byte

*SRE 8

When an interrupt is detected by the system controller, it must check to see which condition generated the condition. To do this, it must:

- 1) Read the Questionable Event Register to see which attribute caused the interrupt. Recall that this register is read with the "STAT:QUES:EVENT?" query.
- 2) If the Voltage Summary bit (bit 0) is set, then read the Questionable Voltage Event Register to determine which supply is out of tolerance. The Questionable Voltage Event Register may be read with the

"STAT:QUES:VOLT:EVENT?" query.
- 3) If the Current Summary bit (bit 1) is set, read the Questionable Current Event Register to determine which supply is out of tolerance. The Questionable Current Event Register may be read with the "STAT:QUES:CURR:EVENT?" register.
- 4) If the Temperature Summary bit (bit 4) is set, it must be caused by VXI slot 7 temperature rise, since that is the only slot enabled in this example.
- 5) If the Frequency Summary bit (bit 5) is set, it must be caused by fan #2 since that is the only fan enabled in this example.

The example enables only a few attributes to generate an interrupt. For most users, all out-of-tolerance conditions should be investigated. Therefore, for most users, all of the Enable Registers should be set to a value of 32767 so all monitored attributes are capable of generating an interrupt.

Programming The Trigger Subsystem

The 1261B provides the following trigger capabilities:

- 1) Route a signal from the TRIG IN front panel input connector to one of the TTLTRG lines on the VXI backplane;
- 2) Route a signal from one of the TTLTRG lines on the VXI backplane to the TRIG OUT front panel output connector;
- 3) Apply a programmable delay between either the TRIG IN signal and the TTLTRGx line or the TTLTRGx signal and the TRIG OUT line.
- 4) Route the TRIG IN front panel input signal directly to the TRIG OUT front panel output (with or without a delay).

Note that by routing the TRIG IN input to the same TTLTRGx line that is connected to the TRIG OUT output, the TRIG IN signal may be connected to the TRIG OUT connector in addition to the TTLTRGx line.

Connecting The TRIG IN Input To a TTLTRIG Line

The TRIG IN input may be connected to one of the TTLTRGx lines (TTLTRG0 through TTLTRG7) . The following commands may be used to connect the TRIG IN input to one of the TTLTRG lines, or to disconnect the input from all of the TTLTRG lines:

```
VXI : CONF : MONITOR : TRIG : INPUT    TTLTRG0
VXI : CONF : MONITOR : TRIG : INPUT    TTLTRG1
VXI : CONF : MONITOR : TRIG : INPUT    TTLTRG2
VXI : CONF : MONITOR : TRIG : INPUT    TTLTRG3
VXI : CONF : MONITOR : TRIG : INPUT    TTLTRG4
VXI : CONF : MONITOR : TRIG : INPUT    TTLTRG5
VXI : CONF : MONITOR : TRIG : INPUT    TTLTRG6
VXI : CONF : MONITOR : TRIG : INPUT    TTLTRG7
VXI : CONF : MONITOR : TRIG : INPUT    NONE
```

The first eight commands above connect the TRIG IN input to TTLTRG0 through TTLTRG7 respectively. The last command disconnects the TRIG IN input from all of the TTLTRG lines.

Note that by selecting one TTLTRG line, all other TTLTRG lines are implicitly disconnected.

To determine which line is presently connected, the query:

```
VXI : CONF : MONITOR : TRIG : INPUT?
```

may be used. The reply to this query will be one of the following:

TTLT0
 TTLT1
 TTLT2
 TTLT3
 TTLT4
 TTLT5
 TTLT6
 TTLT7
 NONE

The Default state for this command is "NONE".

Connecting The TRIG OUT Output To a TTLTRG Line

The TRIG OUT output may be connected to one of the TTLTRGx lines (TTLTRG0 through TTLTRG7) . The following commands may be used to connect the TRIG OUT output to one of the TTLTRG lines, or to disconnect the input from all of the TTLTRG lines:

```
VXI:CONF:MONITOR:TRIG:OUTPUT TTLTRG0
VXI:CONF:MONITOR:TRIG:OUTPUT TTLTRG1
VXI:CONF:MONITOR:TRIG:OUTPUT TTLTRG2
VXI:CONF:MONITOR:TRIG:OUTPUT TTLTRG3
VXI:CONF:MONITOR:TRIG:OUTPUT TTLTRG4
VXI:CONF:MONITOR:TRIG:OUTPUT TTLTRG5
VXI:CONF:MONITOR:TRIG:OUTPUT TTLTRG6
VXI:CONF:MONITOR:TRIG:OUTPUT TTLTRG7
VXI:CONF:MONITOR:TRIG:OUTPUT NONE
VXI:CONF:MONITOR:TRIG:OUTPUT INPUT
```

The first eight commands above connect the TRIG OUT output to TTLTRG0 through TTLTRG7, respectively. The ninth command disconnects the TRIG OUT output from all of the TTLTRG lines. The last command connects the TRIG IN input to the TRIG OUT output without affecting any of the TTLTRG lines. In this case, if the TRIG IN input is already connected to a TTLTRG line, it will be disconnected prior to connecting it to the TRIG OUT output.

Note that by selecting one TTLTRG line, all other TTLTRG lines are implicitly disconnected.

To determine which line is presently connected, the query:

```
VXI:CONF:MONITOR:TRIG:OUTPUT?
```

may be used. The reply to this query will be one of the following:

TTLT0
 TTLT1
 TTLT2
 TTLT3

TTLT4
TTLT5
TTLT6
TTLT7
NONE
INP

The Default state for this command is “NONE”.

Programming a Trigger Delay Time

A delay time may be added between:

- 1) The TRIG IN input and the selected TTLTRGx line, OR
- 2) The TTLTRGx line and the TRIG OUT output, OR
- 3) The TRIG IN input and the TRIG OUT output

The trigger delay time ranges from 0.0 to 1.04857596875 seconds in steps of 31.25 nanoseconds. To program a delay time, the command:

```
VXI:CONF:MONITOR:TRIG:DELAY <delay time>
```

where “<delay time>” ranges between 0.0 and 1.04857596875.

NOTE:

When the trigger delay is non-zero, the trigger pulse is generated from the 1261B EMS. It is not identical to the trigger signal applied to the input (or from the TTLTRGx line). The trigger pulse is approximately 100 nanoseconds wide and is a low-going (normally high) pulse.

NOTE:

The EMS trigger delay circuit adds a delay between the input and output pulses. This delay is between 31.25 ns and 62.5 ns (typical, 100 ns maximum).

The present delay time may be read back with the query:

```
VXI:CONF:MONITOR:TRIG:DELAY?
```

The reply to this query is a numeric value formatted as a real number.

Selecting The Trigger Delay Application

The trigger delay may be placed between ONE of the following:

- 1) TRIG IN input to selected TTLTRG line
- 2) Selected TTLTRG line to TRIG OUT output
- 3) TRIG IN input to TRIG OUT output
- 4) Nothing (no delay)

The following commands may be used to select the delay application:

```
VXI:CONF:MONITOR:TRIG:DELAY:STATE INPUT
VXI:CONF:MONITOR:TRIG:DELAY:STATE OUTPUT
VXI:CONF:MONITOR:TRIG:DELAY:STATE NONE
```

The first command applies the delay between the TRIG IN input and the selected TTLTRG line. The second command places the delay between the selected TTLTRG line (or TRIG IN input) and the TRIG OUT output. The third command removes any trigger delay from the trigger subsystem.

The present trigger delay application may be read using the query:

```
VXI:CONF:MONITOR:TRIG:DELAY:STATE
```

The reply to this query will be one of the following:

```
INP
OUTP
NONE
```

Programming The Front Panel Display

The EMS has a 10 character LED display which is capable of displaying all printable characters. This includes both uppercase and lowercase "A" through "Z", the comma, single quote, double quote, forward and backward slash, asterisk, dollar sign, percent sign, and so on. A space character may also be displayed.

At Power-On and after a reset command ("*RST"), the front panel display is turned on. The front panel will display the message:

```
Standby
```

if the AC line power switch is off. If the AC line power switch is on, the front panel will display the message:

```
System OK
```

These two messages are displayed only when no out-of-tolerance conditions have been detected by the EMS. If an out-of-tolerance condition is detected, a status message is displayed. Consult the "Front Panel Display Status Messages" of this chapter for a description of the various status messages and their meanings.

Turning The Display On and Off

At Power-On and after a reset, the front panel display is turned on. The front panel may be turned off using the command:

```
DISPLAY:TEXT:STATE OFF
```

After this command is executed, the display is turned off. The display will not display any status messages nor will it display any user-defined messages.

The front panel display may be turned on by using the command:

```
DISPLAY:TEXT:STATE ON
```

The present state of the display may be read using the query:

```
DISPLAY:TEXT:STATE?
```

The EMS will reply to this query with a "0" if the display is off, or a "1" if the display is on.

Writing a Message To The Display

The user may write a message to the display. This is done with the command:

```
DISPLAY:TEXT "Show This On The Display"
```

This text to display may be enclosed in either double quotes or in single quotes.

The text message may be from 0 to 80 characters in length. Since the LED display can accommodate only 10 characters at a time, and since the status "clock" is always shown at the right-most position, only 9 characters may be displayed at one time. The EMS will automatically "scroll" messages longer than 9 characters from left to right at the rate of 2 characters per second. Thus, if the command:

```
DISPLAY:TEXT "This is My String"
```

is executed, then the front panel will show the following characters in succession:

```
This is M  
his is My
```

```

is is My
s is My S
  is My St
is My Str
s My Stri
  My Strin
My String

```

The presently programmed text string may be read using the query:

```
DISPLAY:TEXT?
```

The EMS will reply to this query with the string enclosed in double quotes. If a double quote is part of the displayed string, then two consecutive double quotes will be shown in the reply as follows:

```
"This has a double quote "" embedded in it"
```

The user string may be set to a length of 0 by sending the command:

```
DISPLAY:TEXT ""
```

If this command is executed, the display will show nothing UNLESS an out-of-tolerance condition is detected by the EMS.

Clearing The Message From The Display

The user message may be cleared entirely by executing the command:

```
DISPLAY:TEXT:CLEAR
```

After this command has been executed, the EMS will behave as if no user message has been defined. This will then return to displaying the "System OK" or out-of-tolerance message(s).

Front Panel Message Semantics

The EMS updates the front panel display as illustrated by the following pseudocode:

```

If the display state is ON then
  If there is an out-of-tolerance condition then
    display out-of-tolerance message
  Elsif there is a user-defined message then
    display the user-defined message
  Elsif the AC line power is switch ON then
    display "System OK"
  Else
    display "Standby"
  Endif
Endif

```


Front Panel Status Messages

In the event that the EMS detects an out-of-tolerance condition, the front panel display will be updated with a status message. The status messages and their meanings are shown in **Table 4-8**.

Table 4-8, Front Panel Status Messages

Message	Meaning
System OK	AC Power switch is ON, nothing out-of-tolerance
Standby	AC power switch is OFF, nothing out-of-tol
+5V PS OV	+5V power supply over-voltage condition
-5V PS OV	-5.2V power supply over-voltage condition
-2V PS OV	-2V power supply over-voltage condition
+24V PS OV	+24V power supply over-voltage condition
-24V PS OV	-24V power supply over-voltage condition
+12V PS OV	+12V power supply over-voltage condition
-12V PS OV	-12V power supply over-voltage condition
+5V PS UV	+5V power supply under-voltage condition
-5V PS UV	-5.2V power supply under-voltage condition
-2V PS UV	-2V power supply under-voltage condition
+24V PS UV	+24V power supply under-voltage condition
-24V PS UV	-24V power supply under-voltage condition
+12V PS UV	+12V power supply under-voltage condition
-12V PS UV	-12V power supply under-voltage condition
FAN X SPEED	Fan X speed is out of tolerance (X will be "1", "2", or "3")
AMB TEMP H	Ambient Temperature is too high
SLOT XX T	Slot XX temperature rise is too high (XX will be "1" to "12")

Table 4-8, Front Panel Status Messages (continued)

Message	Meaning
IACKX CNT	Interrupt Acknowledge Line X count reached (X will be "1" to "7")
BERR CNT	Bus Error count reached
SYSFAIL	SYSFAIL* line asserted
ACFAIL	ACFAIL* line asserted
PON TIME	Elapsed power-on time limit reached
TOT PON TM	Elapsed cumulative power-on time limit reached
FILTER	Filter service time limit reached

Each of these messages will be flashed on the display. If more than one out-of-tolerance condition is detected, each status message will be displayed in a round-robin fashion.

Programming The RS-232 Interface

The EMS includes an RS-232 interface which may be used to send commands and receive replies. The RS-232 interface operates at one of four baud rates: 1200, 2400, 4800, or 9600. It supports 7 or 8 data bits, even, odd, or no parity, and 1 or 2 stop bits.

The default baud rate, data bits, stop bits, and parity are selected using DIP switch SW1. These settings will be used upon power on or upon reset. Consult the configuration diagram in section 2 of this manual for switch settings of SW1.

The baud rate, data bits, stop bits, and parity may be programmed using commands over the VXIbus or over the RS-232 interface.

Programming The Baud Rate

The baud rate may be programmed using the command:

```
SYSTEM:COMM:SERIAL:BAUD <baud rate>
```

where "<baud rate>" will be one of the following: 1200, 2400, 4800 or 9600. The present baud rate may be read back using the query

```
SYSTEM:COMM:SERIAL:BAUD?
```

The EMS will reply with one of the four possible values.

Programming The Number of Data Bits

The number of data bits may be programmed with the command:

```
SYSTEM:COMM:SERIAL:BITS <data bits>
```

where “<data bits>” will either be 7 or 8. The presently programmed number of data bits may be read with the query:

```
SYSTEM:COMM:SERIAL:BITS?
```

Programming The Parity

The parity may be programmed using one of the following commands:

```
SYSTEM:COMM:SERIAL:PARITY EVEN
```

```
SYSTEM:COMM:SERIAL:PARITY ODD
```

```
SYSTEM:COMM:SERIAL:PARITY NONE
```

The present parity may be read using the query:

```
SYSTEM:COMM:SERIAL:PARITY?
```

The EMS will reply to this query with one of the following:

```
EVEN
```

```
ODD
```

```
NONE
```

Programming The Number of Stop Bits

The number of data bits may be programmed with the command:

```
SYSTEM:COMM:SERIAL:SBITS <stop bits>
```

where “<stop bits>” will either be 1 or 2. The presently programmed number of stop bits may be read with the query:

```
SYSTEM:COMM:SERIAL:SBITS?
```

Illegal RS-232 Interface Combinations

The following combinations of parity, data bits, and stop bits are NOT supported

No parity, 7 data bits, 1 stop bit

Even parity, 8 data bits, 2 stop bits

Odd parity, 8 data bits, 2 stop bits

If an attempt is made to program one of these combinations, the command will be ignored, and an error will be generated and

placed in the instrument's "error queue". The error generated will be error number -221 ("Settings conflict"). Consult the SCPI reference section of this manual for a complete description of error messages.

As an example, suppose that the system presently has the following RS-232 configuration:

9600 baud
1 stop bit
no parity
8 data bits

Suppose also that the following configuration is desired:

9600 baud
1 stop bit
even parity
7 data bits

Then the parity must be programmed BEFORE the number of data bits is programmed. If an attempt is made to program the number of data bits to 7 before the parity is set to even, then an illegal combination would (temporarily) result. That is, the combination would be:

9600 baud, 1 stop bit, no parity, 7 data bits

which is NOT allowed. Thus, the commands must be sent in the following order:

```
SYSTEM:COMM:SERIAL:PARITY  EVEN
SYSTEM:COMM:SERIAL:BITS      7
```

Note that the order of programming will have to change based upon what the present configuration is and what the desired configuration is. That is, if we go from:

9600 baud, 1 stop bit, even parity, 7 data bits

to:

9600 baud, 1 stop bit, no parity, 8 data bits

then the number of data bits must be programmed first.

Setting The System Time and Date

The EMS has an on-board battery-backed time of day clock. This clock keeps track of both time and date. The time and date are used for time stamping the alarm conditions so they may be read back by the user. They may also use this feature to obtain the date and time.

The system time may be set using the command:

```
SYSTEM:TIME <hour> , <minute> , <second>
```

where:

<hour>	ranges from 0 to 23
<minute>	ranges from 0 to 59
<second>	ranges from 0 to 59

The present time may be read using the query:

```
SYSTEM:TIME?
```

The EMS will reply to this query using the format:

```
<hour>,<minute>,<second>
```

The system date may be set using the command:

```
SYSTEM:DATE <year> , <month> , <day>
```

where:

<year>	ranges from 1995 to 2020
<month>	ranges from 1 to 12
<day>	ranges from 1 to 31 (may be less than 31 depending on the <month>)

The present date may be read using the query:

```
SYSTEM:DATE?
```

The EMS will reply to this query using the format:

```
<year>,<month>,<day>
```

Reading Event Time Stamps

Each alarm condition has an associated time stamp. This time stamp tracks the most recent occurrence of the out-of-tolerance condition. The time stamp indicates the earliest time at which the most recent out-of-tolerance condition was detected.

In general, the time stamps may be read using a query of the form:

```
<attribute>:ALARM:TIME?    -- read the time of the event  
<attribute>:ALARM:DATE?    -- read the date of the event
```

Where <attribute> is replaced by a keyword which indicates which attribute's out-of-tolerance time stamp is to be read. The valid queries are:

VOLT1:ALARM:TIME?	-- +5V PS voltage alarm
VOLT2:ALARM:TIME?	-- -5.2V PS voltage alarm
VOLT3:ALARM:TIME?	-- -2V PS voltage alarm
VOLT4:ALARM:TIME?	-- +24V PS voltage alarm
VOLT5:ALARM:TIME?	-- -24V PS voltage alarm
VOLT6:ALARM:TIME?	-- +12V PS voltage alarm
VOLT7:ALARM:TIME?	-- -12V PS voltage alarm
FREQ1:ALARM:TIME?	-- most recent alarm of any fan
FREQ2:ALARM:TIME?	-- fan #1 alarm
FREQ3:ALARM:TIME?	-- fan #2 alarm
FREQ4:ALARM:TIME?	-- fan #3 alarm
TIME1:ALARM:TIME?	-- power on time alarm
TIME2:ALARM:TIME?	-- cumulative power on time
TIME3:ALARM:TIME?	-- filter service time alarm
TEMP1:ALARM:TIME?	-- slot 0 temp rise alarm
TEMP2:ALARM:TIME?	-- slot 1 temp rise alarm
TEMP3:ALARM:TIME?	-- slot 2 temp rise alarm
TEMP4:ALARM:TIME?	-- slot 3 temp rise alarm
TEMP5:ALARM:TIME?	-- slot 4 temp rise alarm
TEMP6:ALARM:TIME?	-- slot 5 temp rise alarm
TEMP7:ALARM:TIME?	-- slot 6 temp rise alarm
TEMP8:ALARM:TIME?	-- slot 7 temp rise alarm
TEMP9:ALARM:TIME?	-- slot 8 temp rise alarm
TEMP10:ALARM:TIME?	-- slot 9 temp rise alarm
TEMP11:ALARM:TIME?	-- slot 10 temp rise alarm
TEMP12:ALARM:TIME?	-- slot 11 temp rise alarm
TEMP13:ALARM:TIME?	-- slot 12 temp rise alarm
TEMP14:ALARM:TIME?	--ambient temperature alarm
VXI:SYSFAIL:ALARM:TIME?	-- VXI SYSFAIL* alarm
VXI:ACFAIL:ALARM:TIME?	-- VXI ACFAIL* alarm
VXI:IACK1:ALARM:TIME?	-- VXI IACK1 alarm
VXI:IACK2:ALARM:TIME?	-- VXI IACK2 alarm
VXI:IACK3:ALARM:TIME?	-- VXI IACK3 alarm
VXI:IACK4:ALARM:TIME?	-- VXI IACK4 alarm
VXI:IACK5:ALARM:TIME?	-- VXI IACK5 alarm
VXI:IACK6:ALARM:TIME?	-- VXI IACK6 alarm
VXI:IACK7:ALARM:TIME?	-- VXI IACK7 alarm
VXI:BERR:ALARM:TIME?	-- VXI Bus Error alarm

Only the "TIME?" queries are shown above. The "DATE?" queries may be formed by substituting the keyword "DATE" for the keyword "TIME".

The time stamps cannot be set by a command; they can only be queried. The EMS automatically records them into nonvolatile memory whenever an out-of-tolerance condition is detected.

IEEE-488.2 Common Commands

The EMS supports all required IEEE-488.2 commands. In addition, the optional "*OPT?", "*SAV", and "*RCL" commands are all supported. The following paragraphs describe the IEEE-488.2 commands supported by the 1261B EMS.

*IDN? Query

This query requests the instrument to identify itself. The EMS responds to this query with the following reply:

Racal Instruments,1261B EMS,0,<firmware revision>

This reply indicates the manufacturer ("Racal Instruments"), the ("1261B EMS"), the serial number (if not available, it is "0"), and the firmware revision. The firmware revision is the only field that may change in the future. The firmware revision is a numeric, floating point value. An example firmware revision is "2.1".

*RST Command

The *RST command resets the instrument to its power-on default state. These settings are shown in **Table 4-1** of this manual. This command does NOT change the value of SCPI or IEEE-488.2 status registers, event registers, condition registers, or enable registers.

*TST? Query

The *TST? query initiates an instrument self-test and returns a reply. The reply is a integer numeric value. A value of "0" indicates that the self-test has passed. A non-zero value indicates that one of the commanded self-tests has failed. Consult the "**Performing the Self-Test**" Section of this chapter for a description of the self-test failures and error codes associated.

***CLS Command**

The *CLS command clears the SCPI and IEEE-488.2 defined status event registers. These include the Questionable Voltage Event Register, the Questionable Current Event Register, and so on. This also includes the Standard Event Register (see the *ESR? query description).

***ESE Command**

The *ESE command sets the value of the Standard Event Status Enable Register. The value of this register is logically ANDed with the contents of the Standard Event Status Register (see the *ESR? query description). If any bits of this AND operation are set, then bit 5 of the Status Byte is set. That is:

$$\begin{aligned} \text{bit 5 of Status Byte} = & (\text{bit 0 of ESE AND bit 0 of ESR}) \\ & \text{OR} \\ & (\text{bit 1 of ESE AND bit 1 of ESR}) \\ & \text{OR} \\ & (\text{bit 2 of ESE AND bit 2 of ESR}) \\ & \text{OR} \\ & (\text{bit 3 of ESE AND bit 3 of ESR}) \\ & \text{OR} \\ & (\text{bit 4 of ESE AND bit 4 of ESR}) \\ & \text{OR} \\ & (\text{bit 5 of ESE AND bit 5 of ESR}) \\ & \text{OR} \\ & (\text{bit 6 of ESE AND bit 6 of ESR}) \\ & \text{OR} \\ & (\text{bit 7 of ESE AND bit 7 of ESR}) \end{aligned}$$

where:

ESE is the value as set by the *ESE command

ESR is the value which may be read with *ESR? query

Bit 5 of the Status Byte is also known as the “Event Summary Bit”, or ESB. The *ESE command has the format:

```
*ESE <ESE value>
```

where the “<ESE value>” is an integer numeric value in the range 0 to 255.

***ESE? Query**

This query reads the value presently programmed for the "Standard Event Status Enable Register". This reads the value as programmed by the "*ESE" command.

***ESR? Query**

This query reads the value of the "Standard Event Status Register". Each bit of this register indicates a true/false status condition. When the bit is set, the condition is TRUE; when the bit is cleared, the condition is FALSE. The bit assignments are defined by the IEEE-488.2 specification. The bit assignments are as follows:

- Bit 0 - Operation Complete. This bit is set when the *OPC command is sent and has been executed.
- Bit 1 - Request Control. This bit is always 0 for the 1261B EMS.
- Bit 2 - Query Error. This bit is set when the EMS parser has detected a query error condition, as defined by the IEEE-488.2 specification.
- Bit 3 - Device Dependent Error. This bit is set when the EMS has detected a Device Dependent error, such as an internal conflict or a self-test failure at power-on.
- Bit 4 - Execution Error. This bit is set when the EMS has attempted to execute a command but the command could not be executed successfully.
- Bit 5 - Command Error. This bit is set when the EMS receives a command it does not recognize.
- Bit 6 - User Request. This bit is always 0 for the 1261B EMS.
- Bit 7 - Power On. This bit is set when the AC line power switch is turned on.

The bits of the Standard Event Status Register are cleared after this query has been executed. The reply to the *ESR? query is a numeric integer value in the range "0" to "255".

***SRE Command**

The *SRE command sets the value of Service Request Enable Register. The value of this register is logically ANDed with the contents of the Status Byte (see the *STB? query description). If any bits of this AND operation are set, bit 6 of the Status Byte is set. That is:

$$\begin{aligned} \text{bit 6 of Status Byte} = & (\text{bit 0 of SRE AND bit 0 of STB}) \\ & \text{OR} \\ & (\text{bit 1 of SRE AND bit 1 of STB}) \\ & \text{OR} \\ & (\text{bit 2 of SRE AND bit 2 of STB}) \\ & \text{OR} \\ & (\text{bit 3 of SRE AND bit 3 of STB}) \\ & \text{OR} \\ & (\text{bit 4 of SRE AND bit 4 of STB}) \\ & \text{OR} \\ & (\text{bit 5 of SRE AND bit 5 of STB}) \\ & \text{OR} \\ & (\text{bit 7 of SRE AND bit 7 of STB}) \end{aligned}$$

where:

SRE is the value as set by the *SRE command

STB is the value of the Status Byte which may be read with *STB? query or by performing a serial poll (VXI read STB command).

Bit 6 of the Status Byte is also known as the “Master Status Summary” bit. When this bit transitions from a 0 to a 1, a VXI Request True interrupt is generated by the EMS. When this bit transitions from a 1 to a 0, a VXI Request False interrupt is generated by the EMS.

The command has the format:

*SRE <SRE value>

where the “<SRE value>” is an integer numeric value in the range 0 to 255. The value of bit 6 of this register is ignored, since it does not make sense to “enable an interrupt when an interrupt is generated”.

***SRE? Query**

This query reads the value presently programmed for the "Service Request Enable Register". This reads the value as programmed by the "**SRE" command.

***STB? Query**

This query reads the value of the "Status Byte". Each bit of this register indicates a true/false status condition. When the bit is set, the condition is TRUE; when the bit is cleared, the condition is FALSE. The bit assignments are defined by the IEEE-488.2 specification. The bit assignments are as follows:

- Bit 0 - Not used. Always returns 0.
- Bit 1 - Not used. Always returns 0.
- Bit 2 - Not used. Always returns 0.
- Bit 3 - Set when the SCPI "Questionable Condition Register" ANDed with the SCPI "Questionable Condition Enable Register" is non-zero.
- Bit 4 - Message Available (MAV). Set when there is a reply in the output buffer to be read.
- Bit 5 - Extended Status Byte (ESB). Set when the IEEE-488.2 Standard Event Register ANDed with the IEEE-488.2 Standard Event Status Register is non-zero.
- Bit 6 - Master Summary Status (MSS). Set when the value of the Status Byte ANDed with the value of the Service Request Enable Register is non-zero. When this bit transitions from a 0 to a 1, a Request True interrupt is generated. When this bit transitions from a 1 to a 0, a Request False interrupt is generated.
- Bit 7 - Not used. Always returns 0.

***OPC Command**

The *OPC command will cause the Operation Complete bit of the Standard Event Status Register (SESR) to be set when the command is executed. This is bit 0 of the SESR. The value of the SESR may be read using the *ESR? query.

The *OPC command has no parameters. The only valid syntax for this command is:

*OPC

***OPC? Query**

The *OPC? query causes the EMS to reply with the value of "1" when the query is executed. This query may be used to ensure that all previous commands have been executed so the application program may be sure that tolerances and other attributes have been programmed before continuing.

***RCL Command**

The *RCL command will recall the instrument state from nonvolatile memory. The *RCL command may specify a nonvolatile memory location from which to recall the instrument state. That is, both of the following formats are accepted:

*RCL

*RCL <location>

If <location> is specified, it must be in the range 0 to 9. If <location> is not specified, it will default to 1.

The *RCL command recalls the following instrument state attributes

Upper and/or Lower Tolerances For:

- Power Supply Voltages
- Power Supply Currents
- Fans' speed
- Ambient Temperature
- VXI Slot Temperature Rise
- VXI IACKn count limits
- VXI BERR count limit
- Elapsed time

Trigger Subsystem Configuration:

- Trigger Delay and Delay Application
- TRIG IN/TRIG OUT connections

Front Panel Display Configuration:

- Front Panel Display On/Off State
- User-Defined Display Text

RS-232 Interface Configuration:

Baud Rate
Parity
Data Bits
Stop Bits

Note that Status Registers, Condition Registers, Enable Registers, and Event Registers are NOT affected by the *RCL command.

*SAV Command

The *SAV command will store the present instrument state into nonvolatile memory. The *SAV command may specify a nonvolatile memory location into which the instrument state is saved. That is, both of the following formats are accepted:

*SAV

*SAV <location>

If <location> is specified, it must be in the range 0 to 9. If <location> is not specified, the instrument state will be saved into nonvolatile memory location 1. Note that *SAV location 0 is recalled at power-up if the DIP switch SW1-8 is set.

The *SAV command saves all of the attributes described in the *RCL command description into the specified nonvolatile memory location.

*TRG Command

The *TRG command is required by the IEEE-488.2 specification. This command is accepted but has no effect on the EMS.

*WAI Command

The *WAI command is required by the IEEE-488.2 specification. This command is accepted but has no effect on the EMS.

Performing the Self Test

The EMS performs a series of self-tests when power is first applied. If any of the self-tests fail, the following message is displayed on the 10 character LED display on the front of the VXI mainframe:

Self Test Failed!

To determine the cause of this failure, perform one of the following 3 operations:

Connect an RS-232 terminal to the RS-232 port of the EMS. Cycle power to the EMS by removing and reconnecting the AC power cord. Observe the error messages displayed on the terminal to determine which of the self-tests have failed.

Connect an RS-232 terminal and keyboard to the RS-232 port of the EMS. Type the command:

```
SYST:ERR?
```

on the keyboard. Observe the reply to determine the cause of the self-test failure. The meaning of the replies to this query are discussed later in this section.

Turn VXI mainframe power on. After the resource manager program has executed (MXI/VXI and embedded computer interfaces), or after a five second delay (GPIB/VXI slot 0 interface), send the following command to the EMS over the VXIbus:

```
SYST:ERR?
```

Read the reply to determine the cause of the self-test failure. The meaning of the replies to this query are discussed later in this section.

The "Self Test Failed!" message will continually be displayed until it is cleared. This message may be cleared using the following command:

```
DISP:TEXT:CLEAR
```

The self-tests may also be initiated with an ASCII command over either the RS-232 or the VXIbus interface. The command:

```
*TST?
```

initiates the self-test. The self-test will complete after approximately 3 seconds. Upon completion of the self-test, the result may be read via the VXIbus (the result will automatically be sent over the RS-232 interface if the command was received on the RS-232 interface).

The result of the self-test will be one of the following:

- 0 The self-test has passed
- 1 The checksum of the ROM which contains the firmware does not match the checksum stored in the ROM itself.
- 2 The EEPROM checksum does not match the checksum stored in the EEPROM itself; the EEPROM is possibly corrupt.

- 3 One of the VXI mainframe sensors routed to the EMS's A/D converter has failed. The measured value on one of the sensors has measured extremely high, indicating that the sensor is disconnected. The sensor(s) at fault is indicated in the reply to the "SYST:ERR?" query.
- 4 The EMS programmable interrupt timer has failed its self test.
- 5 One section of the EEPROM has failed its verification. Some data in the EEPROM may be corrupt.
- 6 The real-time clock has failed its self-test. Date and Time functions will not work properly. Time stamps for alarm conditions will not be recorded properly.

If any non-zero error code is returned, a description of the failure is placed on the error queue. The cause of the error may be read using the command:

```
SYST:ERR?
```

This command may be sent over the RS-232 or the VXIbus interface. The EMS will reply with an error message with the form:

```
-330,"Self-test failed;<self-test failure description>"
```

The <self-test failure description>s, and their meanings, are described below:

```
ROM checksum failed (is XXXX, s/b YYYY)
```

This error is returned when the ROM checksum has failed (*TST? returns -1). The computed checksum is shown as four hexadecimal digits, represented by XXXX. The stored checksum is shown as four hexadecimal digits, represented by YYYY.

```
PS Voltage Sensors: +5V -5.2V -2V +24V -24V +12V -12V
```

This error is returned when the Power Supply voltage sensors for one or more of the power supplies has failed. All seven power supplies are shown in this example. Only the failing supplies will be shown when this error occurs. This message may be returned if the *TST? command returns a value of -3.

```
PS Current Sensors: +5V -5.2V -2V +24V -24V +12V -12V
```

This error is returned when the Power Supply current sensors for one or more of the power supplies has failed. All seven power supplies are shown in this example. Only the failing supplies will be shown when this error occurs. This message may be returned if the *TST? command returns a value of -3.

Fan Speed Sensors: Fan#1 Fan#2 Fan#3

This error is returned when the fan speed monitor sensors for one or more of the fans has failed. All three fans are shown in this example. Only the failing fan(s) will be shown when this error occurs. This message may be returned if the *TST? command returns a value of -3.

Ambient Temperature Sensor

This error is returned when the ambient temperature sensor has failed. The message may be returned if the *TST? command returns a value of -3.

Slot Temperature Sensors (Slots): 0 1 2 3 4 5 6 7 8 9 10 11 12

This error is returned when one or more of the slot temperature sensors has failed. This example shows all thirteen of the slot temperature sensors. Only the failing sensors will be shown when this error occurs. This message may be returned if the *TST? command returns a value of -3.

Microcontroller P.I.T failed

This error is returned when the EMS's Programmable Interrupt Timer test has failed. This message will be returned if the *TST? command returns a value of -4.

EEPROM header corrupt (XXXXXXXX)

This error is returned when the header (first 4 bytes) of the EEPROM do not match the expected fixed pattern of AAAA5555 hexadecimal. The actual value read from the EEPROM is shown as 8 hexadecimal digits enclosed in parentheses. This error may be returned if the *TST? command returns a value of -5.

EEPROM Alarm Data Corrupt (Address XXXX)

This error is returned when one of the alarm time-stamps in the EEPROM does not have a valid checksum. This indicates that the particular time stamp is corrupted. The address within the 8K EEPROM is shown as four hexadecimal digits. This error may be returned if the *TST? command returns a value of -5.

EEPROM state X read fail

This error is returned when the attempt to read the data for state X (X = 0 to 9) has failed. This indicates that the stored instrument state location MAY be corrupt. This error may be returned if the *TST? command returns a value of -5.

EEPROM state X checksum fail

This error is returned when the checksum stored for the instrument state does not match the computed checksum for that state. This indicates that the stored instrument state MAY be corrupt. This error may be returned if the *TST? command returns a value of -5. The X will be replaced by the state that was found to be corrupt (X = 0 to 9).

EEPROM read failure

This error is returned when the EEPROM indicates that it is busy writing data for more than 40 milliseconds. This indicates a general EEPROM failure. This error may be returned if the *TST? command returns a value of -5.

Time-of-day real-time clock failed

This error is returned when the real-time clock on the EMS does not advance after a minimum of 1.2 seconds. This error may be returned if the *TST? command returns a value of -6.

Power-on time real-time clock failed

This error indicates that the power-on time real-time clock on the EMS does not advance after a minimum of 1.2 seconds. This error may be returned if the *TST? command returns a value of -6.

The following self-tests are NOT performed when VXI mainframe power is NOT applied:

- EEPROM tests
- real-time clock tests

This page was left intentionally blank.

SCPI COMMAND REFERENCE

What's In This Chapter

This chapter contains reference information for programming the 1261B Enhanced Monitoring System (EMS). Standard Commands For Programmable Instruments (SCPI) convention rules and syntax are explained in detail. **Table 5-1** lists all SCPI commands used for programming the EMS. The command summary for each SCPI model is also included in this chapter.

This chapter teaches you how to use SCPI commands to control functions, modes, waveforms and other aspects of the instrument. Prior understanding of SCPI programming is necessary for low level programming of the EMS.

Introduction To SCPI Language

Commands to program the instrument over the VXIbus and RS-232 interfaces are defined by the SCPI 1994.0 standard. The SCPI standard defines a common language protocol. It goes one step further than IEEE-STD-488.2 and defines a standard set of commands to control every programmable aspect of the instrument. It also defines the format of command parameters and the format of values returned by the instrument.

SCPI is an ASCII-based instrument command language designed for test and measurement instruments. SCPI commands are based on a hierarchical structure known as a tree system. In this system, associated commands are grouped together under a common mode or root, thus forming subsystems. Throughout this chapter, the following conventions are used for SCPI command syntax.

Square Brackets ([])	Enclose optional keywords or parameters
Braces ({ })	Enclose parameters within a command string
Triangle Brackets (< >)	Substitute a value for the enclosed parameter

Vertical Bar (|) Separate multiple parameter choices

Bold Typeface Letters Designate factory default values

Part of the DISPlay subsystem is shown below to illustrate the tree system:

```
[:]DISPlay
    [:WINDow]
        :TEXT
            :CLEar
            [:DATA] <string>
            :STATe OFF|ON
```

DISPlay is the root keyword of the command, WINDow is the optional second level keyword, TEXT is the third level keyword. CLEar, DATA, and STATe are fourth level keywords. A colon (:) separates a command keyword from a lower level keyword.

Command Keyword Long Form and Short Form

Each keyword defined by SCPI has both a long form and a short form. The long form is formed by using all letters shown in the keyword. The short form is formed by using only the uppercase letters shown in the keyword.

For example, the DISPlay keyword may be specified by either of the following:

```
DISP
DISPLAY
```

No other form can be used to specify the keyword. The keyword "DISPL" may NOT be used.

Case Sensitivity

Command keywords are NOT case sensitive. Command parameters are NOT case sensitive, unless the parameter is string data enclosed in quotes.

For example, the following commands are all equivalent:

```
DISPLAY
Display
DiSpLaY
display
display
```

Optional Keywords Command keywords enclosed in square brackets are optional. For example, all of the following commands are valid and equivalent:

```
DISPLAY:WINDOW:TEXT:DATA "Hello"  
DISPLAY:TEXT:DATA "Hello"  
DISPLAY:WINDOW:TEXT "Hello"  
DISPLAY:TEXT "Hello"
```

A colon (:) is used to separate a command keyword from a lower level keyword as shown below:

```
DISP:WIND:TEXT:STATE ON
```

A semicolon (;) is used to separate commands within the same subsystem, and can also minimize typing. For example, sending the following command string:

```
DISP:TEXT "Example Text" ; STATE ON
```

is the same as sending the following two commands:

```
DISP:TEXT "Example Text"  
DISP:TEXT:STATE ON
```

Use the colon and semicolon to link commands from different subsystems. For example, in the following command string, an error is generated if both the colon and the semicolon are not used.

```
DISP:TEXT:STATE ON;:SYSTEM:ERR?
```

Multiple Identical Capabilities and Keyword Suffixes

In several places in the EMS, there are nearly identical measuring capabilities across multiple instances of a monitored attribute. For example, the voltage from 7 different power supplies can be read. The base keyword used to measure the power supply voltage is shown as:

```
MEASure:VOLTage[<N>]? (N = 1 - 7)
```

This represents eight different keywords:

```
MEASure:VOLTage?           -- read +5V Power Supply  
MEASure:VOLTage1?         -- read +5V Power Supply  
MEASure:VOLTage2?         -- read -5.2V Power Supply  
MEASure:VOLTage3?         -- read -2V Power Supply  
MEASure:VOLTage4?         -- read +24V Power Supply  
MEASure:VOLTage5?         -- read -24V Power Supply  
MEASure:VOLTage6?         -- read +12V Power Supply  
MEASure:VOLTage7?         -- read -12V Power Supply
```

Each of these has a long form and a short form. Thus

```
MEAS:VOLTAGE2?
```

```
MEAS:VOLT2?
```

are equivalent.

Omitting the keyword suffix selects the same capability as specifying the suffix of 1. This means that:

```
MEAS:VOLTage?
```

```
MEAS:VOLTage1?
```

are equivalent.

The MIN, MAX, and DEF Parameters

Substitute MINimum, MAXimum, or DEFault in place of a numeric parameter for most commands. For example, the following command:

```
:VOLTAGE3:RANGE:UPPER MIN
```

sets the upper voltage range for the -2V power supply monitor to its minimum programmable value. The command:

```
:VOLTAGE3:RANGE:UPPER DEF
```

sets the upper voltage range for the -2V power supply monitor to its default, power-on value.

The MINimum, MAXimum, and DEFault keywords are accepted for all SENSE:<Attribute>:RANGE commands and the VXI:CONF:MON:TRIG:DELAY command.

Querying Parameter Setting

Query the current value of most parameters by adding a question mark (?) to the command. For example, the following command sets the trigger delay to 0.5 seconds:

```
VXI:CONF:MON:TRIG:DELAY 0.5
```

Query the trigger delay by executing:

```
VXI:CONF:MON:TRIG:DELAY?
```

Query Response Format

The response to a query depends on the command sent to the instrument to generate the query response. In general, a response to a query contains present values or settings of the EMS. Commands that set values can be queried about their present value of the setting. Commands that set modes of operation can be queried about their present mode setting.

SCPI Command Terminator

A command string sent to the EMS must be terminated with a one of the following:

- 1) An ASCII linefeed character: (decimal 10, hex 0A, 'C' char '\n').
- 2) The last character with the END bit set to 1.
- 3) An ASCII linefeed character with the END bit set to 1.

The END bit for a VXI instrument is analogous to the GPIB EOI line. The END bit is sent along with each character using the Word Serial Byte Available command. GPIB/VXI slot 0 controllers translate the GPIB EOI line to VXIbus protocol, which sets the END bit to identify the last character of a command.

Over the RS-232 interface, there is no EOI line. Therefore, ALL commands transmitted over the RS-232 interface must be terminated with the ASCII newline character.

IEE-STD-488.2 Common Commands

The IEEE-STD-488.2 standard defines a set of common commands that perform functions like reset, trigger and status operations. Common commands begin with an asterisk (*), are four to five characters in length, and may include parameters. The command keyword is separated from the first parameter by a blank space. Use a semicolon (;) to separate multiple commands as shown below:

```
*RST; *STB?; *IDN?
```

SCPI Parameter Type

The SCPI language defines several different data formats to be used in program messages and response messages.

Numeric Parameter

Commands that require numeric parameters will accept all commonly used decimal representations of numbers including optional signs, decimal points, and scientific notation. Special values for numeric parameters like MINimum, MAXimum, and DEFault are also accepted.

Engineering unit suffixes with numeric parameters (e.g., mV, KV, mA, KHz) can also be sent. If only specific numeric values are accepted, the function generator will ignore values which are not accepted and will generate an error message. The following command is an example of a command that uses a numeric parameter:

```
SENSE:VOLT1:RANGE:UPPER 5.75
```

Discrete Parameter

Discrete parameters are used to program settings that have a limited number of values (e.g., trigger delay is applied to INPut or OUTput or NONE). They have short and long form command keywords. Upper and lower case letters can be mixed. Query responses always return the short form in all upper case letters. The following command uses discrete parameters:

```
:VXI:CONF:MON:DELAY:STATE {INPut | OUTput | NONE}
```

Boolean Parameters

Boolean parameters represent a single binary condition that is either true or false. The EMS accepts "OFF" or "0" for a false condition. The EMS accepts "ON" or "1" for a true condition. The instrument always returns "0" or "1" when a boolean setting is queried. The following command uses a boolean parameter:

```
:DISPLAY:TEXT:STATE { OFF | ON | 0 | 1 }
```

SCPI Command Summary

Table 5-1 summarizes the complete SCPI command tree available to program the EMS. Refer to section 4 in this manual for more complete details on each command.

Table 5-1, VXibus 1261B-Linear EMS SCPI Commands List Summary
(NOTE: Current Monitoring Not Supported in 1261B-Linear)

Keyword	Parameter Form (Default in Bold)	SCPI 1994.0	Notes
:SYSTem	Confirmed		
:ERRor ?		Confirmed	(Query only)
:VERSion?		Confirmed	(Query only)
:COMMunicate		Confirmed	
:SERial	Confirmed		
[:RECeive]		Confirmed	
:BAUD	1200 2400 4800 9600	Confirmed	Combinations of Parity/Data/Stop Bits which are NOT allowed:
:BITS	7 8	Confirmed	
:SBITs	1 2	Confirmed	
:PARity		Confirmed	
[:TYPE]	EVEN ODD NONE	Confirmed	
:TRANsmit		Confirmed	
:AUTO		Confirmed	Programming either the TRANSMIT or the RECEIVE direction programs BOTH directions
:BAUD	1200 2400 4800 9600	Confirmed	
:BITS	7 8	Confirmed	
:SBITs	1 2	Confirmed	
:TIME	<hour>, <minute>, <second>	Confirmed	
:DATE	<year>, <month>, <day>	Confirmed	ranges: 0 - 23, 0 - 59, 0 - 59 ranges: 1995 - 2020, 1 - 12, 1 - 31
:MEASure		Confirmed	
:VOLTag[<N>]?		Confirmed*	<N> = 1 - 7 (Query only)
:FREQuency[<N>]?		Confirmed*	<N> = 1 - 4 (Query only)
:TIME[<N>]?		Not Confirmed	<N> = 1 - 3 (Query only)
:TEMPerature[<N>]?		Confirmed*	<N> = 1 - 14 (or 1 - 27) (Query only)
:VXI	Not Confirmed		
:ACFail?		Not Confirmed	(Query only)
:ASTRobe?		Not Confirmed	(Query only)
:SYSFail?		Not Confirmed	(Query only)
:STATus	Confirmed		
:PRESet		Confirmed	(Command only)
:OPERation		Confirmed	Command has no effect
[:EVENT]?		Confirmed	Command has no effect (Query only)
:CONDition?		Confirmed	Command has no effect (Query only)
:ENABle	(0;0;32767)	Confirmed	Command has no effect
:QUEStionable		Confirmed	
[:EVENT]?		Confirmed	(Query only)
:CONDition?		Confirmed	(Query only)
:ENABle	(0;0;32767)	Confirmed	
:VOLTage		Confirmed	
[:EVENT]?		Confirmed	(Query only)
:CONDition?		Confirmed	(Query only)
:ENABle	(0;0;32767)	Confirmed	Meaningful range is 0 to 127
:TEMPerature		Confirmed	
[:EVENT]?		Confirmed	(Query only)
:CONDition?		Confirmed	(Query only)
:ENABle	(0;0;32767)	Confirmed	Meaningful range is 0 to 16383
:FREQuency		Confirmed	
[:EVENT]?		Confirmed	(Query only)
:CONDition?		Confirmed	(Query only)
:ENABle	(0;0;32767)	Confirmed	Meaningful range is 0 to 15
:TIME		Confirmed	
[:EVENT]?		Confirmed	(Query only)
:CONDition?		Confirmed	(Query only)
:ENABle	(0;0;32767)	Confirmed	Meaningful range is 0 to 7
:VXI	Not Confirmed		
[:EVENT]?		Not Confirmed	(Query only)
:CONDition?		Not Confirmed	(Query only)
:ENABle	(0;0;32767)	Not Confirmed	Meaningful range is 0 to 1024

Keyword	Parameter Form (Default in Bold)	SCPI 1994.0	Notes
[[:SENSe]	Confirmed		
:VOLTage[<N>]		Confirmed	N = 1 - 7
[:DC]		Confirmed	
:RANGe		Confirmed	
[:UPPer]	<voltage as a real number>**	Confirmed	set most positive voltage monitor limit
:LOWer	<voltage as a real number>**	Confirmed	set most negative voltage monitor limit
:ALARm		Not Confirmed	
[:TIME]?		Not Confirmed	(Query only)
:DATE?		Not Confirmed	(Query only)
:FREQuency[<N>]		Confirmed	N = 1 - 4, 1 = all 3 fans
:RANGe		Confirmed	
[:UPPer]	<frequency as a real number (RPM)>**	Confirmed	set maximum frequency limit
:LOWer	<frequency as a real number (RPM)>**	Confirmed	set minimum frequency limit
:ALARm		Not Confirmed	
[:TIME]?		Not Confirmed	(Query only)
:DATE?		Not Confirmed	(Query only)
:TIME[<N>]		Not Confirmed	N = 1 - 3
:RANGe		Not Confirmed	
[:UPPer]	<time as a real number (seconds)>**	Not Confirmed	set maximum time limit
:LOWer	<time as a real number (seconds)>**	Not Confirmed	may be specified but is ignored
:ALARm		Not Confirmed	
[:TIME]?		Not Confirmed	(Query only)
:DATE?		Not Confirmed	(Query only)
:TEMPerature[<N>]		Not Confirmed	N = 1 - 14 (or 1- 27 if option installed)
:RANGe		Not Confirmed	
[:UPPer]	<time as a real number (seconds)>**	Not Confirmed	set maximum temperature/temp rise
:LOWer	<time as a real number (seconds)>**	Not Confirmed	may be specified but is ignored
:ALARm		Not Confirmed	
[:TIME]?		Not Confirmed	(Query only)
:DATE?		Not Confirmed	(Query only)
:VXI	Not Confirmed		
:SYSFail		Not Confirmed	
:ALARm		Not Confirmed	
[:TIME]?		Not Confirmed	(Query only)
:DATE?		Not Confirmed	(Query only)
:ACFail	Not Confirmed		
:ALARm		Not Confirmed	
[:TIME]?		Not Confirmed	(Query only)
:DATE?		Not Confirmed	(Query only)
:IACK<N>		Not Confirmed	N = 1 to 7
:COUNt?		Not Confirmed	(Query only)
:LIMit	(0;0;255)	Not Confirmed	
:CLEar		Not Confirmed	(Command only)
:ALARm		Not Confirmed	
[:TIME]?		Not Confirmed	(Query only)
:DATE?		Not Confirmed	(Query only)
:BERR		Not Confirmed	
:COUNt?		Not Confirmed	(Query only)
:LIMit	(0;0;255)	Not Confirmed	
:CLEar		Not Confirmed	(Command only)
:ALARm		Not Confirmed	
[:TIME]?		Not Confirmed	(Query only)
:DATE?		Not Confirmed	(Query only)

Keyword	Parameter Form (Default in Bold)	SCPI 1994.0	Notes
:VXI	Confirmed		
:CONFigure		Confirmed	
:MONitor		Not Confirmed	
[:TRIGger]		Not Confirmed	
[:INPut]	TTLTRG0 TTLTRG1 TTLTRG2 TTLTRG3 TTLTRG4 TTLTRG5 TTLTRG6 TTLTRG7 NONE	Not Confirmed	
:OUTput	TTLTRG0 TTLTRG1 TTLTRG2 TTLTRG3 TTLTRG4 TTLTRG5 TTLTRG6 TTLTRG7 NONE INPut	Not Confirmed	
:DELay		Not Confirmed	
[:TIME]	(0; 0; 1.04857596875)	Not Confirmed	
:STATe	INPut OUTput OFF	Not Confirmed	
:DISPlay	Confirmed		
[:WINDow]		Confirmed	
:TEXT		Confirmed	
:CLEar		Confirmed	
[:DATA]	<string data>	Confirmed	enclose <string data> in quotes
:STATe	OFF ON 0 1	Confirmed	
Common Commands	Parameter Form (Default; Min; Max)	IEEE-488.2	Notes
*CLS		Confirmed	
*ESE	(0;0;255)	Confirmed	
*ESE?		Confirmed	
*ESR?		Confirmed	
*IDN?		Confirmed	
*OPC		Confirmed	
*OPC?		Confirmed	
*RCL	[0 1 2 3 4 5 6 7 8 9]	Confirmed	
*RST		Confirmed	
*SAV	[0 1 2 3 4 5 6 7 8 9]	Confirmed	
*SRE	(0;0;255)	Confirmed	
*SRE?		Confirmed	
*STB?		Confirmed	
*TRG		Confirmed	command has no effect
*TST?		Confirmed	
*WAI		Confirmed	command has no effect

Notes:

- * The limits and default values depend upon which power supply is being measured. Consult **Table 5-2**.
- ** Although these MEASure commands are identified in SCPI version 1994.0, this implementation does NOT accept either the expected value or the resolution as a parameter. The MEASure commands accept NO parameters as implemented by the Enhanced Monitoring System.

Command Parameter Limits

The parameter limits for the numeric commands are shown in **Table 5-2**.

Table 5-2, Defaults, Minima and Maxima

Command	Default	Minimum	Maximum	Notes
SENSE:VOLT1:RANGE:UPPER	5.4	5.0	40.0	+5V PS voltage upper tolerance
SENSE:VOLT1:RANGE:LOWER	4.6	0.0	5.0	+5V PS voltage lower tolerance
SENSE:VOLT2:RANGE:UPPER	-4.8	-5.2	0.0	-5.2V PS voltage upper tolerance
SENSE:VOLT2:RANGE:LOWER	-5.6	-40.0	-5.2	-5.2V PS voltage lower tolerance
SENSE:VOLT3:RANGE:UPPER	-1.8	-2.0	0.0	-2V PS voltage upper tolerance
SENSE:VOLT3:RANGE:LOWER	-2.2	-16.0	-2.0	-2V PS voltage lower tolerance
SENSE:VOLT4:RANGE:UPPER	25.9	24.0	100.0	+24V PS voltage upper tolerance
SENSE:VOLT4:RANGE:LOWER	22.1	0.0	24.0	+24V PS voltage lower tolerance
SENSE:VOLT5:RANGE:UPPER	-22.1	-24.0	0.0	-24V PS voltage upper tolerance
SENSE:VOLT5:RANGE:LOWER	-25.9	-100.0	-24.0	-24V PS voltage lower tolerance
SENSE:VOLT6:RANGE:UPPER	12.9	12.0	100.0	+12V PS voltage upper tolerance
SENSE:VOLT6:RANGE:LOWER	11.1	0.0	12.0	+12V PS voltage lower tolerance
SENSE:VOLT7:RANGE:UPPER	-11.1	-12.0	0.0	-12V PS voltage upper tolerance
SENSE:VOLT7:RANGE:LOWER	-12.9	-100.0	-12.0	-12V PS voltage lower tolerance
SENSE:FREQ:RANGE:UPPER	5200.0	2000.0	7650.0	All Fans, upper RPM tolerance
SENSE:FREQ:RANGE:LOWER	2000.0	500.0	7650.0	All Fans, lower RPM tolerance
SENSE:TEMP14:RANGE:UPPER	70.0	0.0	140.0	Ambient temperature upper tol.
SENSE:TEMP<X>:RANGE:UPPER <X> = 1 to 13	20.0	0.0	140.0	VXI slot temp rise tol.
SENSE:TIME1:RANGE:UPPER (365 days)	31536000 0.0	125 years	Power-On elapsed time limit	
SENSE:TIME2:RANGE:UPPER (5 x 365 days)	157680000 0.0	125 years	Cumulative power-on time limit	
SENSE:TIME3:RANGE:UPPER (30 days)	2592000 0.0	125 years	Filter service power-on time limit	
SENSE:VXI:IACK<X>:LIMIT	0	0	255	IACKn limit (<X> = 1 to 7)
SENSE:VXI:BERR:LIMIT	0	0	255	VXI Bus Error limit
VXI:CONF:MON:TRIG:DELAY:TIME (nanoseconds) resolution = 31.25 nanoseconds	0.0 Trigger Delay time	0.0	1048575968.75	

Device Specific Commands

The 1261B EMS conforms to the 1994.0 version of the SCPI standard. Some of the commands used are not included in the 1994.0 version. However, these commands are designed with the SCPI standard in mind and they follow all of the command syntax rules defined by the standard. **Table 5-1** lists all device-specific commands that were designed specifically for the EMS as "Not Confirmed" to the 1994.0 SCPI version.

UNDERSTANDING THE 1261B-Linear

Overview

The 1261B Mainframe consists of the following major functional blocks.

- Power Supply
- Backplane
- Cooling System
- Monitoring System

Figure 6-1 shows the functional block diagram of the 1261B Mainframe.

Power Supply

The linear power supply accepts power from the AC mains and converts it to DC to power the following:

- VXi modules installed into the backplane
- Backplane terminations and daisy chaining logic
- Module Cooling Fans
- System Monitoring Module
- Temperature Monitor Module
- Front Panel Display

Power Supply Interconnection

Power is supplied to the backplane through connector interface P52/J52. Cable assemblies 407704-XX1, XX2 connect the power supply (407703, -100 [115VAC] or 407703-001 [220VAC]) to the 1261B mainframe at J416 and J417.

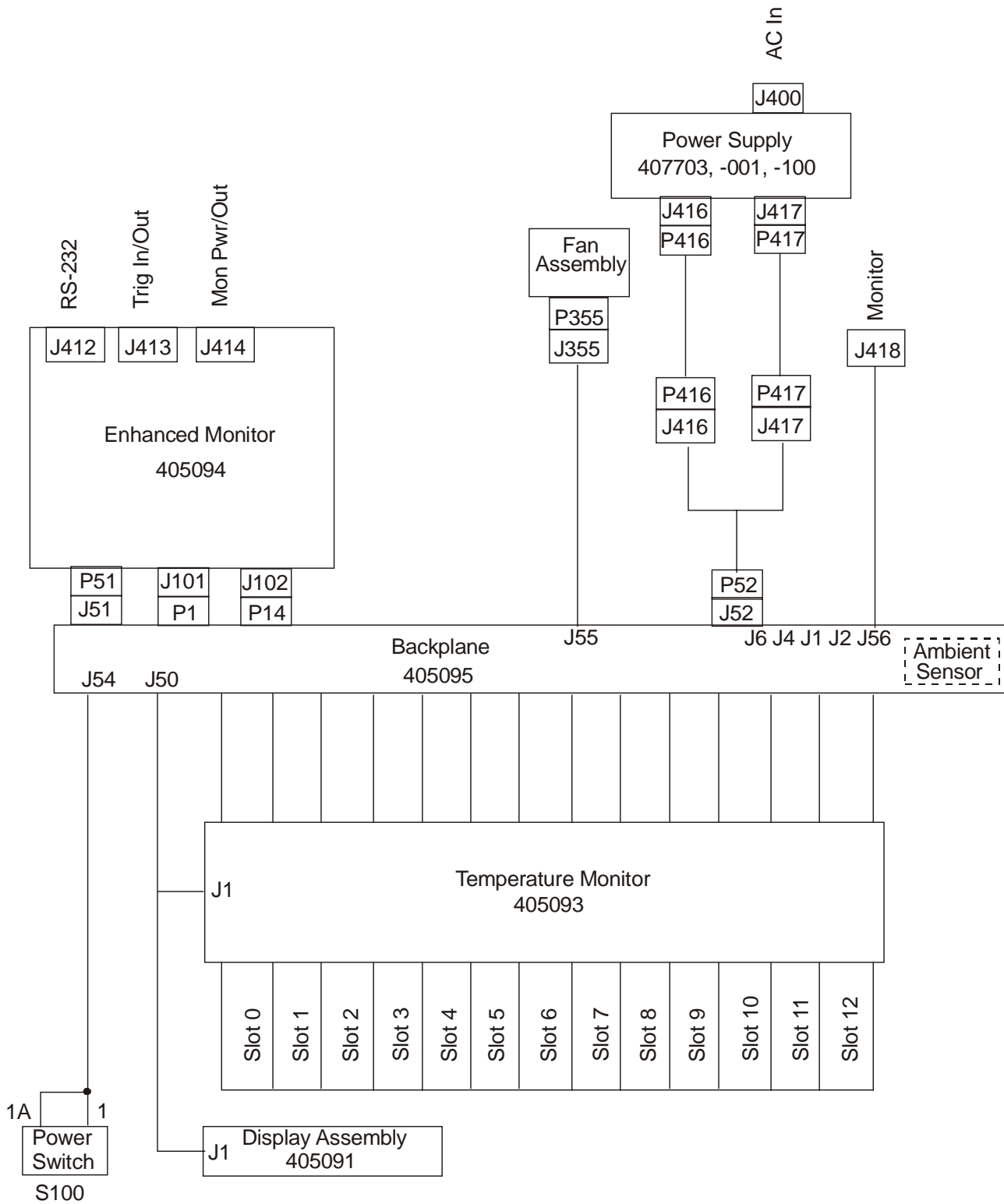


Figure 6-1, Functional Block Diagram For 1261B-Linear Chassis

Power Supply Protections

The seven VXIbus power supply outputs are protected for:

- Short Circuit
- Over-Load

Backplane

The Backplane serves several functions

- Rigid mechanical interface which accommodates a lifetime of insertions of VXI modules and the plug-in power supply.
- Supplies DC voltages and currents to modules.
- Connects the VME communications interface across P1 and P2 from slot 0 to slot 12.
- Connects the VXI extensions across P2 rows a and c from slot 0 to slot 12.
- Connects the monitoring system module, temperature monitor board, display board, Power On/Standby switch, and module cooling fans with the power supply.

Backplane Interconnections

The Power On/Standby switch (S100) connects to the backplane through a polarized locking wire-to-board header at J54.

The front panel display module and the temperature monitor board connect to the backplane through a 24-pin ribbon cable IDC header at J50.

The module cooling fans connect to the backplane through a polarized locking wire-to-board header at J56.

The power supply wiring harness (P/N 407704-004) connects J52 on the backplane to rear panel connections J416 and J417.

The monitoring system module mates with the backplane through a board-to-board connector at J51.

Cooling System

The Module Fan assembly, located at the bottom rear of the mainframe, houses three cooling fans. The speed of these fans is controlled to maintain a temperature rise of 10° C across any module slot in the mainframe. In high ambient temperature conditions of 40° C, the fans shall run full speed.

Filtered air enters at the bottom rear of the 1261B 7U mainframe through the fan assembly.

The incoming air is forced downward into a pressurized plenum below the VXI modules. The high pressure in the plenum forces the air up through a metered plate into the VXI modules. The air passing over components in the modules absorbs heat and exits at the top of the module.

Cooling air is exhausted through the top of the mainframe in the 1261B 7U mainframe.

Cooling The Power System

The linear power supply assembly (407703, 001, -100) contains two fans for its own internal cooling. Air enters through the rear of the unit and exits at the front sides after passing through the power supply.

Enhanced System Monitor (EMS)

The Enhanced Monitoring System adds a VXIbus 2.0 compliant message-based interface, alpha numeric display, individual VXIbus voltage and slot temperature reading, TTL trigger in/outputs with programmable delay, and monitoring of key VXI backplane signals (AS*, ACFAIL*, SYSRESET*).

Refer to **Figure 6-2 Enhanced Monitoring System Module Block Diagram**.

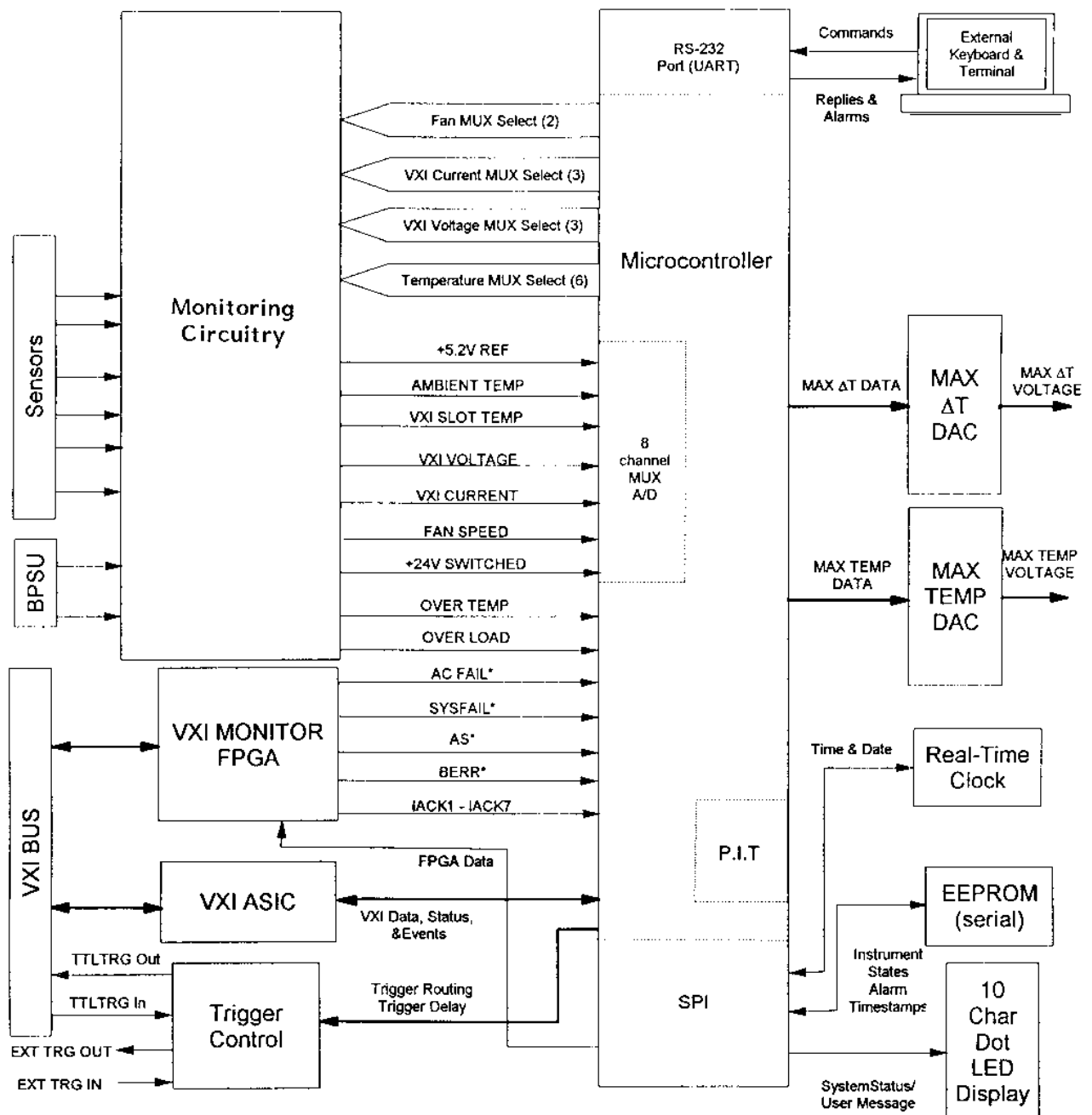


Figure 6-2, Enhanced Monitoring System Module Block Diagram

EMS Module System Interconnection

The Enhanced Monitoring System module plugs directly into the slot 0 location on the rear of the 1261B backplane replacing the SMS monitor.

EMS Module General Capabilities

The **EMS** module general capabilities are listed below. Refer to **Section 4 Using the Enhanced Monitor** for complete information.

- Monitoring of the voltages produced by 7 VXI power supplies
- Monitoring of the ambient temperature and the temperature within the each of the thirteen VXI slots
- Monitoring the speed of each of the three module fans
- Monitoring the VXI Address Strobe (AS*), Bus Error (BERR*), ACFAIL*, SYSFAIL*, and Interrupt Acknowledge (IACK) signals.
- Monitoring the elapsed time since power was turned on (power-on time, both cumulative since shipment and the present total since last power cycle)
- Recording when the last time the VXI Mainframe Filter was serviced, and notifying the user when the service period has elapsed and service is suggested
- Recording when the last time the VXI Mainframe filter was serviced, and notifying the user that filter service is due again.
- Routing a "External Trigger In" signal to one of the TTLTRG<n> lines on the VXI backplane. A programmable delay may be added to the trigger input before the TTLTRG<n> trigger output signal is asserted.
- Routing one of the TTLTRG<n> lines from the VXI backplane to an "External Trigger Out" connector. A programmable delay may be added to the trigger before it is output to the "External Trigger Out" connector.
- Calculates the maximum VXI slot temperature rise relative to the ambient temperature, and outputs a voltage proportional to the maximum temperature rise at the rear panel monitor connector J414.

- Calculates the maximum VXI slot temperature and outputs a voltage proportional to the maximum slot temperature at the rear panel monitor connector J414.
- Provides an RS-232 interface(J412) over which commands may be received and replies sent by the EMS.

User Limits On EMS Monitored Parameters

Many of the monitored functions provide the capability for the user to program upper and/or lower limit values. When a limit is exceeded, the EMS will generate a VXI interrupt (if enabled to do so) which notifies the user of an alarm condition. Refer to **Chapter 4 Using the Enhanced Monitor** for complete information.

Timestamps on EMS Monitored Events

For many of the monitored functions, a timestamp is saved by the EMS software. This time stamp indicates the time of the most recent occurrence of an alarm condition for that monitored function. The timestamp may be queried by the user via SCPI commands. The timestamp includes both time and date information for the alarm. Refer to **Chapter 4 Using the Enhanced Monitor** for complete information.

EMS Rear Panel Fan Speed Monitor

A TTL pulse train at the speed (RPM) of each fan is output to the EMS rear panel Monitor Connector J414. The fans output two pulses per revolution.

EMS Fan Speed Control

The speed of the module fans is controlled by either the slot with the highest absolute temperature or the highest temperature rise.

If the absolute temperature of any slot exceeds +40° C, the module fans operate at full speed. If the temperature rise of any module slot exceeds 10° C, the module fans operate at full speed.

EMS Fan Speed Switch

Switch S3, mounted on the EMS module rear panel, allows the user to select between **maximum** fan speed or **variable** fan speed.

This page was left intentionally blank.

Chapter 7

MAINTENANCE

What's in This Chapter

This chapter provides procedures for inspecting and cleaning the 1261B, removing and replacing mainframe components, and isolating problems to the module level. Refer to **Chapter 6 Understanding The 1261B** for theory of operation information.

Service Strategy

The service procedures in this manual provide removal and replacement procedures to repair the 1261B to the module level. Module level repairs are accomplished by exchanging faulty modules with known good modules or parts. No component-level repair is provided in this manual.

Service Interval

Clean the mainframe module fan filter at a maximum interval of six months. Depending upon the amount of usage and ambient dust levels in the operating environment, the filter may require more frequent cleaning.

Clean dust from the mainframe exterior (and interior) as needed, based on the operating environment. Periodic cleaning reduces instrument breakdown and increases reliability.

Preparation

The information in this section is designed for use by qualified service personnel. Read the **For Your Safety** at the front of this manual and **Service Strategy** before attempting any procedures in this chapter. Refer to **Chapter 3 Operating The 1261B** for information on the location of controls, indicators, and connectors used with the mainframe.

CAUTION:

Many components within the mainframe are susceptible to static discharge damage. Service the mainframe only in a static-free environment. Observe standard handling precautions for static-sensitive devices while servicing the mainframe. Always wear a grounded wrist strap, or equivalent, while servicing the mainframe.

Inspection and Cleaning

The mainframe is inspected mechanically and electrically before shipment. It should be free of marks or scratches and should meet or exceed all electrical specifications. To confirm this, inspect the mainframe for physical damage incurred during transit. Retain the mainframe packaging if reshipment is necessary.

Cleaning procedures consist of exterior and interior cleaning of the mainframe and cleaning fan filters. Refer to your module user documentation for information on cleaning the individual VXIbus modules.

CAUTION:

Always power off the mainframe and disconnect the power cord before cleaning or servicing the mainframe.

Interior Cleaning

Use a dry, low-velocity stream of air to clean the interior of the mainframe. Use a soft-bristle brush for cleaning around components. If you must use a liquid for minor interior cleaning, use a 75% isopropyl alcohol solution and rinse with deionized water.

Exterior Cleaning

Clean the exterior surfaces of the mainframe with a dry lint-free cloth or a soft-bristle brush. If any dirt remains, wipe with a cloth moistened in a mild soap solution. Remove any soap residue by wiping with a cloth moistened with clear water. Do not use abrasive compounds on any part of the mainframe.

CAUTION:

Avoid getting moisture inside the mainframe during exterior cleaning - use just enough moisture to dampen the cloth.

Do not wash the front or rear panel connectors or switches. Cover these components while cleaning the mainframe.

Do not use chemical cleaning agents; they may damage the mainframe. Avoid chemicals that contain benzene, toluene, xylene, acetone, or similar solvents.

Cleaning The Module Fan Filter

The module fan filter is easily removed from the rear of the chassis as shown in **Figure 7-2**.

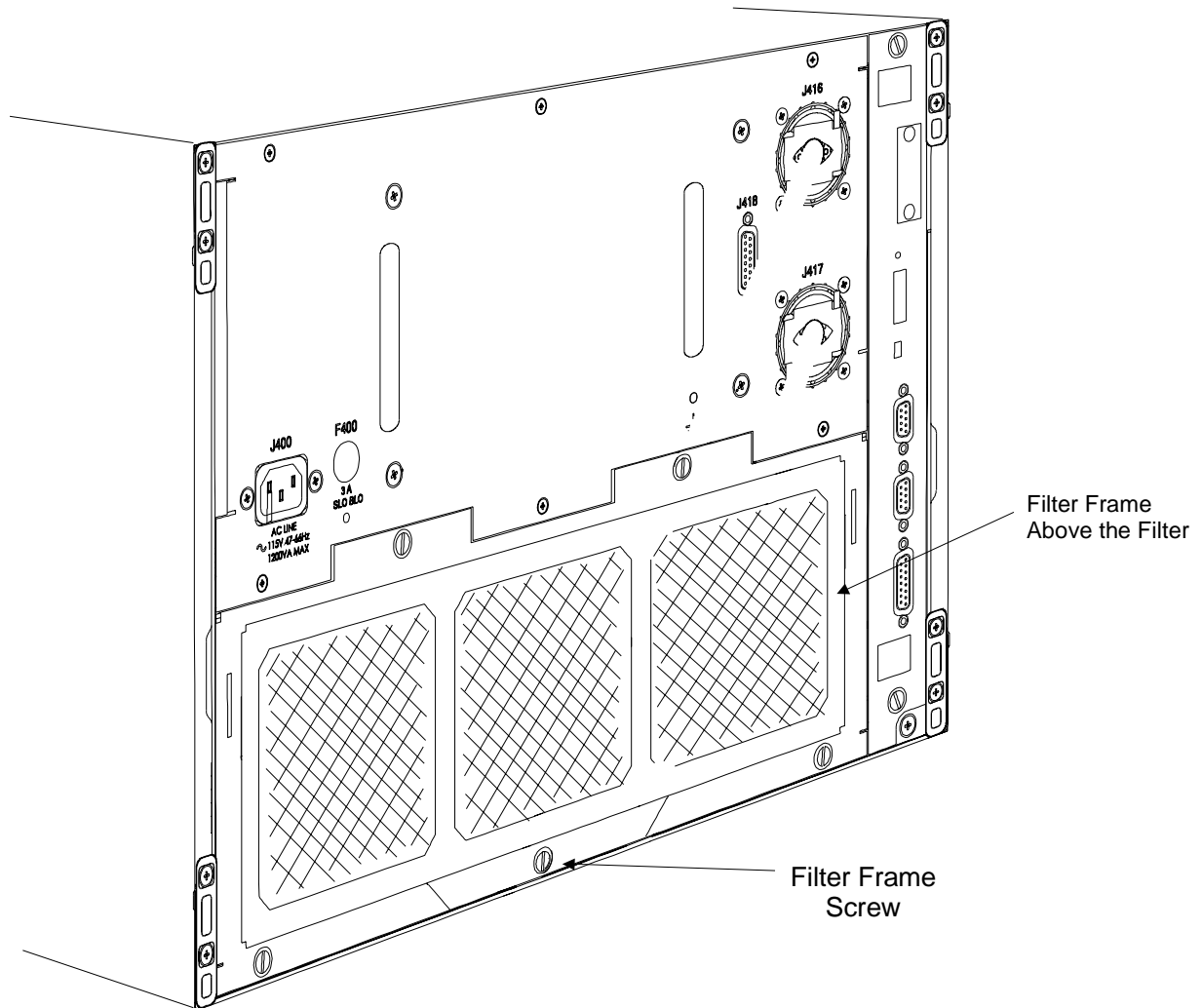


Figure 7-1, Cleaning The Module Fan Filter

1. On rackmount (9U) mainframes only, loosen the two captive thumbscrews on the fan cover assembly and allow it to swing open. It will pivot about its base allowing access to the module fan filter and frame.

2. Loosen the lower center captive thumbscrew on the module fan filter frame. Lift it up and towards the rear to remove the frame and filter from the rear of the module fan assembly.
3. Clean the fan filter by washing, in mild soap solution, vacuuming or blowing air through the filter. Rinse the filter with water and dry before replacing it in the mainframe.
4. To replace, install the filter into the frame.
5. Align the hooks on the back of the filter frame with the slots on the fan assembly. Insert the frame and push down to engage.
6. Tighten the captive thumbscrew to secure the fan filter frame.
7. On rackmount mainframe only, swing the module fan cover upwards and forward, and secure with thumbscrews.

Modular Component Removal and Replacement

The following procedures describe how to remove and replace module-level components of the 1261B Mainframe. Perform these procedures only as necessary as part of installation (e.g. fuse replacement), mainframe service, or repair. Refer to the **Assembly Drawings** in this chapter for an overview of the assembly and disassembly of the mainframe. See **Troubleshooting** for assistance in fault isolation.

CAUTION:

Always power off the mainframe and disconnect the power cord before cleaning or servicing the mainframe.

Tools Required

The only tool required to disassemble the 1261B chassis to the module level is a medium flat blade screwdriver. (Exceptions: 9U Fan Assembly removal requires #2 Phillips screwdriver and 7/64 hex keywrench).

Removal and Replacement of The Module Fan Assembly

The plug-in module fan assembly may be removed and replaced as described in the following steps. Refer to **Figure 7-3** and **7-4**.

1. On rackmount (9U) mainframes only, loosen fan cover thumbscrews, lower cover and disengage from housing. Remove two phillips head screws per side and two socket-head cap (Allen) screws and lockwashers inside rear of cabletray. Pull bottom of housing away and downwards disengaging retaining hooks from rear of module fan assembly. This will expose the fan assembly for removal. Omit this step for benchtop (7U) mainframes.
2. Loosen the lower center captive thumbscrew on the fan filter frame. Lift it up and towards the rear to remove the frame and filter from the rear of the module fan assembly.
3. Loosen the four captive thumbscrews which secure the module fan assembly to the mainframe.
4. Ensure that all four thumbscrews are disengaged from the mainframe. Grasp the module fan assembly by the bottom right and top left floating thumbscrew.
5. Remove the module fan assembly by pulling gently toward the rear of the mainframe while gripping the assembly by the two thumbscrews.
6. To reinstall the module fan assembly, first align the assembly with the rear of the mainframe.
7. Insert the fan assembly by gently pushing it forward into the mainframe making sure the electrical connector is properly mated.
8. Tighten the four thumbscrews securing the module fan assembly.
9. Place filter in the filter frame and align the hooks on the back of the filter frame with the slots on the module fan assembly. Insert the frame and push down to engage.
10. Tighten the captive thumbscrew to secure the fan filter frame.
11. On rackmount mainframe only, engage the hooks on rear of fan cover assembly with the slots in the rear of the fan assembly. Push up to seat and secure with hardware removed in Step 1.

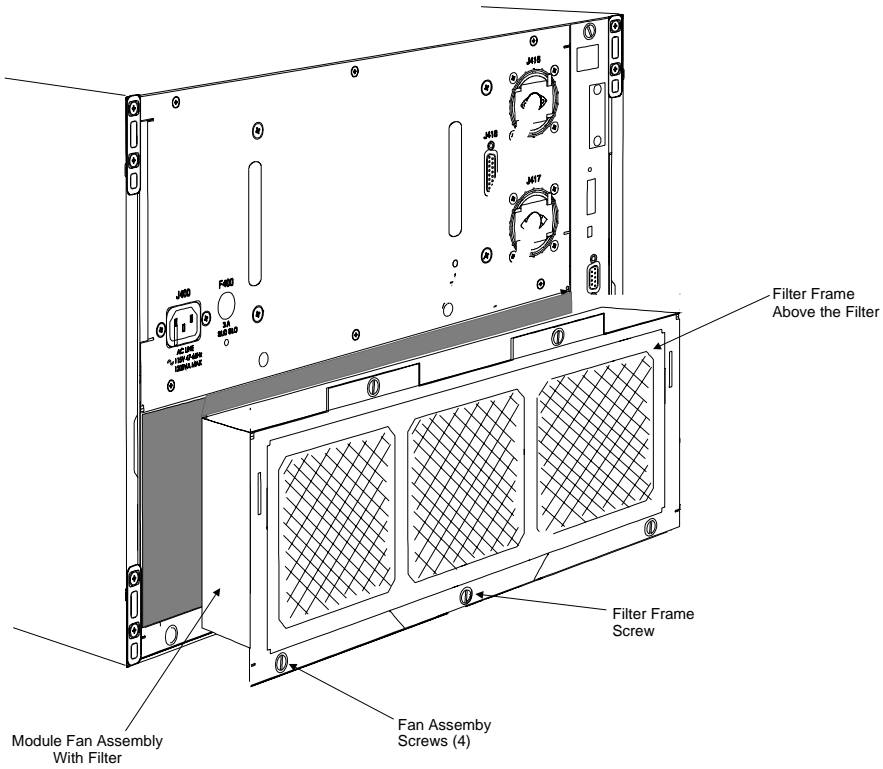


Figure 7-2, Module Fan Assembly Detail

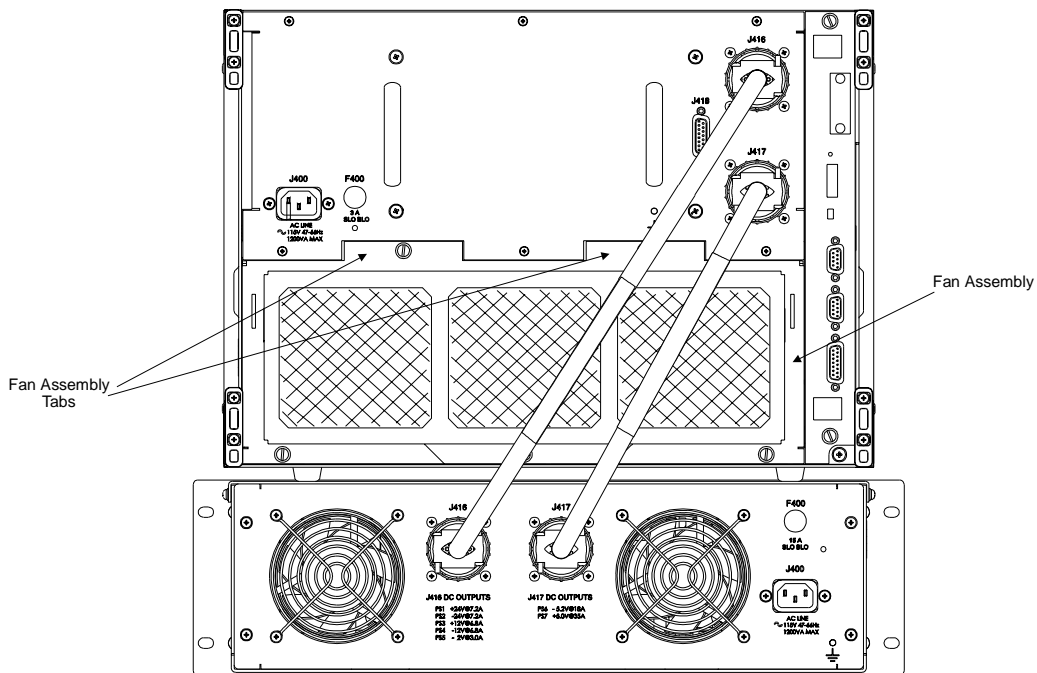


Figure 7-3, Aligning The Module Fan Assembly

Removal and Replacement of The System Monitor

This procedure applies to the Standard Monitoring System module and the Enhanced Monitoring System (EMS) module. Refer to **Figures 7-7 and 7-8** while following the steps below.

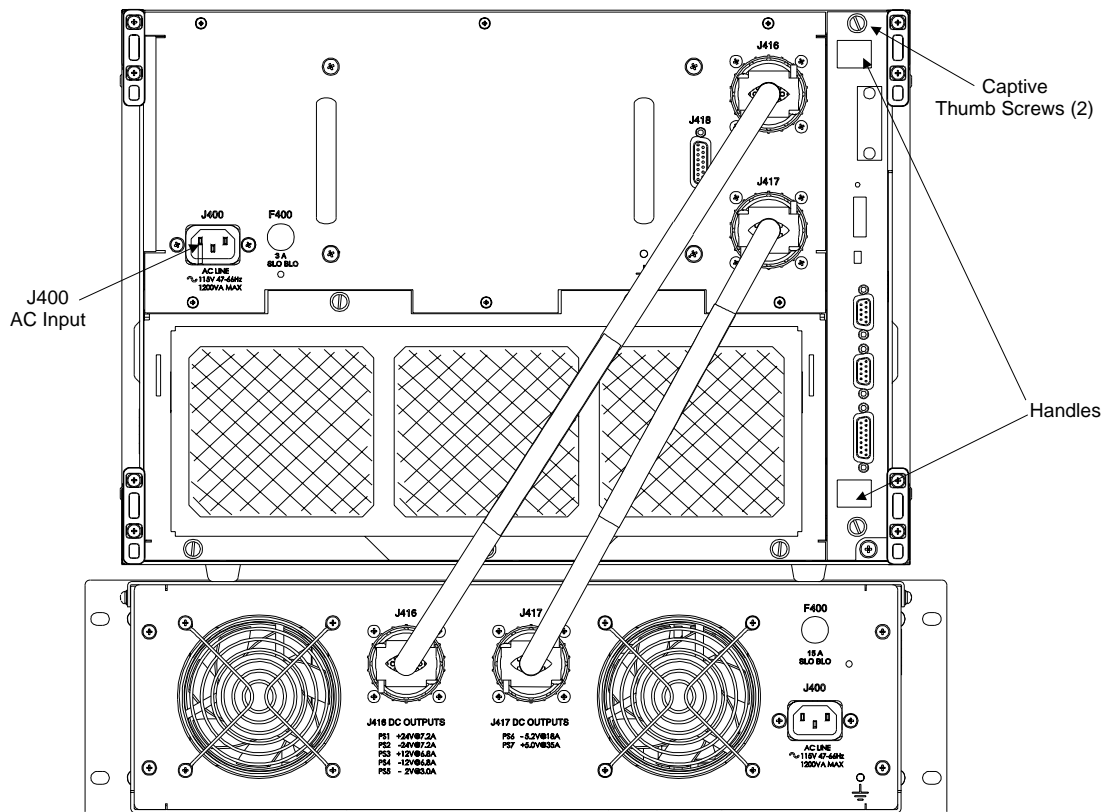


Figure 7-4, Monitoring System Module Rear View

WARNING:

Ensure that J400 AC Input is disconnected before removing or replacing the System Monitoring (SMS or EMS) module. Possible damage to the module could result.

1. Loosen the two captive thumbscrews which secure the monitoring system to the mainframe.
2. Grasp the module by the top and bottom handles.
3. Carefully pull to the rear to remove the system monitor module.

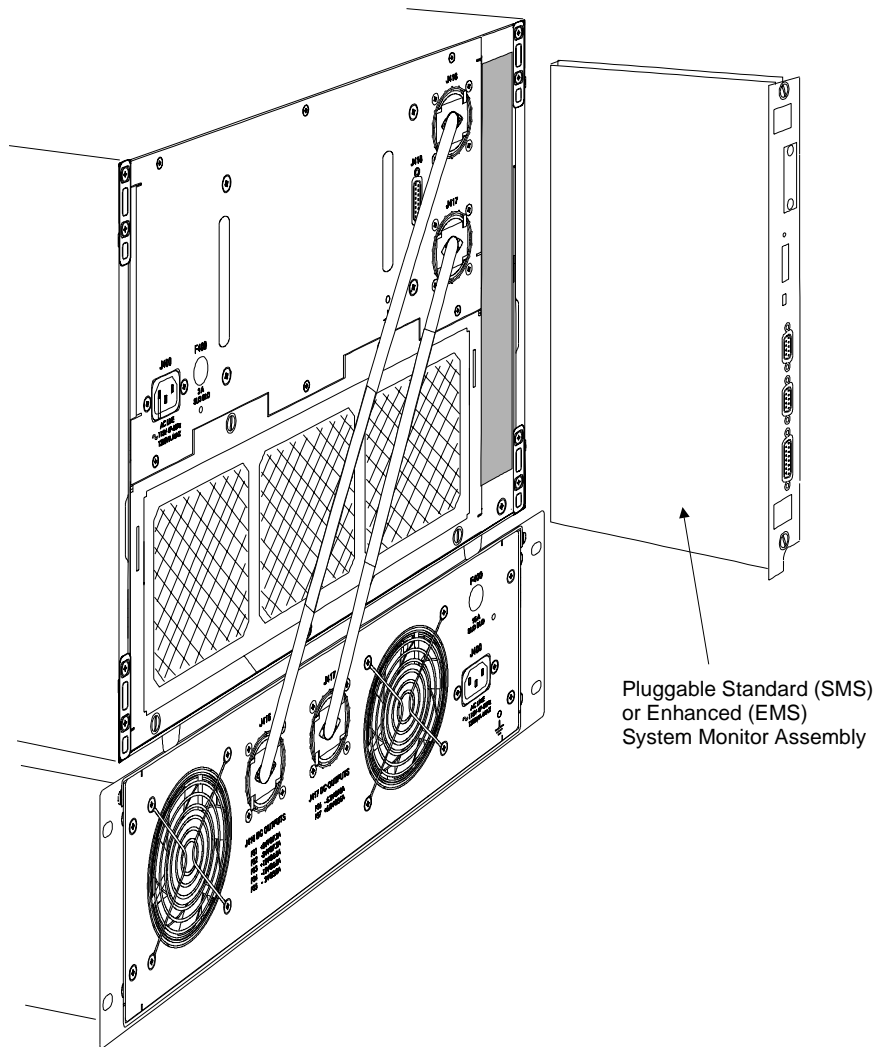


Figure 7-5, Monitoring System Module Removal and Replacement

4. To reinstall the monitoring system module, align in the card guides at rear of the mainframe.
5. Gently insert the module into the mainframe ensuring proper engagement in the card guides.
6. Firmly push the module forward to seat into the backplane connectors.
7. Tighten the two captive thumbscrews securing the module.

Removal and Replacement of The AC Mains Fuses

Complete the steps below while referring to **Figure 7-6**.

WARNING:

To avoid electrical shock, the AC mains power input must be disconnected before replacement of the fuse.

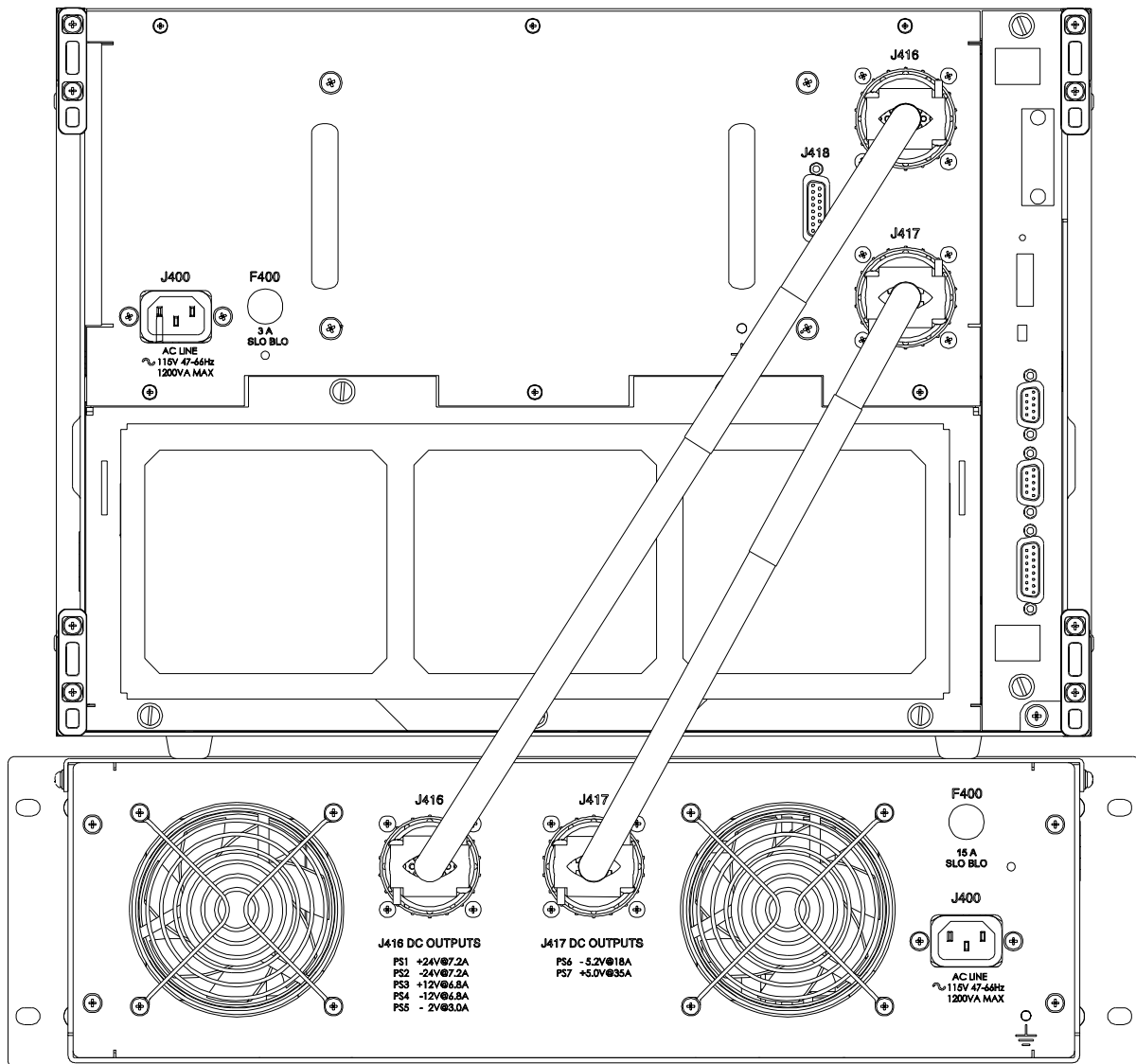


Figure 7-6, Removing and Replacing The AC Mains Fuses

1. Ensure both AC mains inputs (J400) are disconnected.
2. Insert flat blade screwdriver into fuse carrier slot at F400 (on Mainframe or Supply as appropriate) and rotate counter clockwise to remove.
3. To replace fuse, insert the fuse carrier and fuse assembly into fuse housing opening for F400 on power supply. Use only the appropriate fuse for the mainframe and supply (Refer to **Table A-1**)
4. Insert flat blade screwdriver into fuse carrier and rotate clockwise to lock fuse assembly in place.

Removing and Replacing The Card Guides

Complete the steps below while referring to **Figure 7-10** to remove and replace the card guides. The procedure applies to top and bottom card guides.

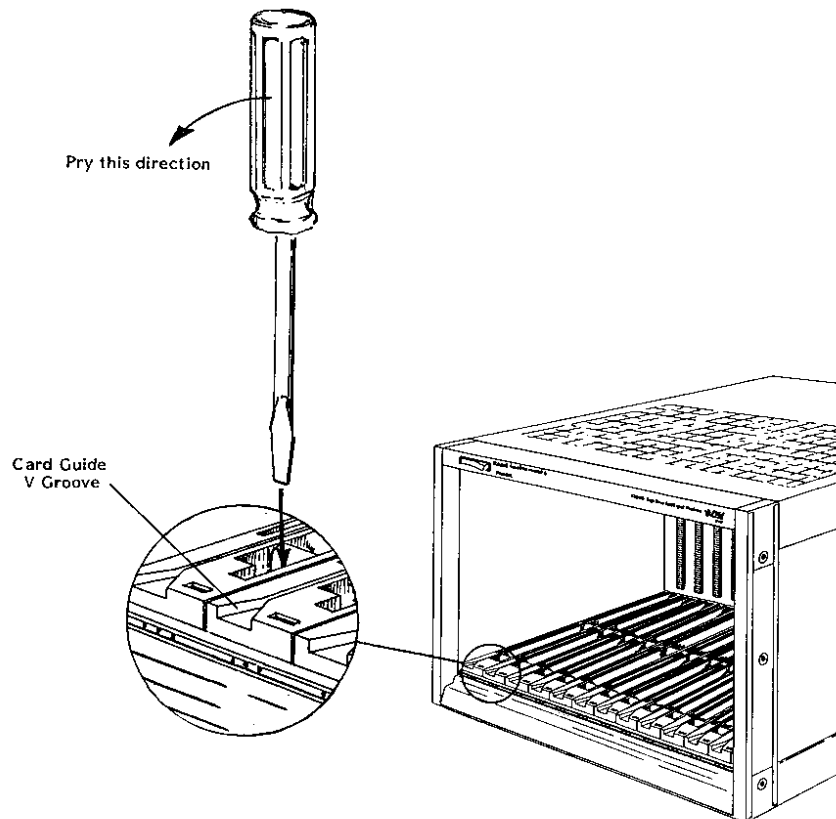


Figure 7-7, Card Guide Removal and Replacement

1. Insert a flat blade screwdriver into the slot in front of the retaining hook.
2. Gently pry the tab of the retaining hook to the rear, and lift the card guide, releasing it at the front.
3. Gently pull the card guide forward releasing it from the center and rear retaining hooks. Bowing the card guide is required to clear the front rail.
4. To replace, align the card guide with the mainframe front ensuring that the “V” groove is at the front.
5. Gently push down and to the rear to engage the hooks at the rear and middle of the card guide. Bowing the card guide is required to clear the front rail.
6. Allow the front retaining hook to rest on the front rail.
7. Insert a flat blade screwdriver into the slot in front of the retaining hook.
8. Gently pry the tab of the retaining hook to the rear, and press down the front of the card guide to snap into position.

Troubleshooting The 1261B-Linear

To troubleshoot the 1261B VXIbus mainframe to its component module level use **Table 7-1** and **Understanding the 1261B** in Chapter 6.

“Alarm conditions” referenced in the **PROBLEM** column of **Table 7-1** occur when the monitored system health status function (Voltage, Temperature, or Airflow) is outside of its specified tolerance. For information on health status indicators and tolerance limits refer to **Table A-9**.

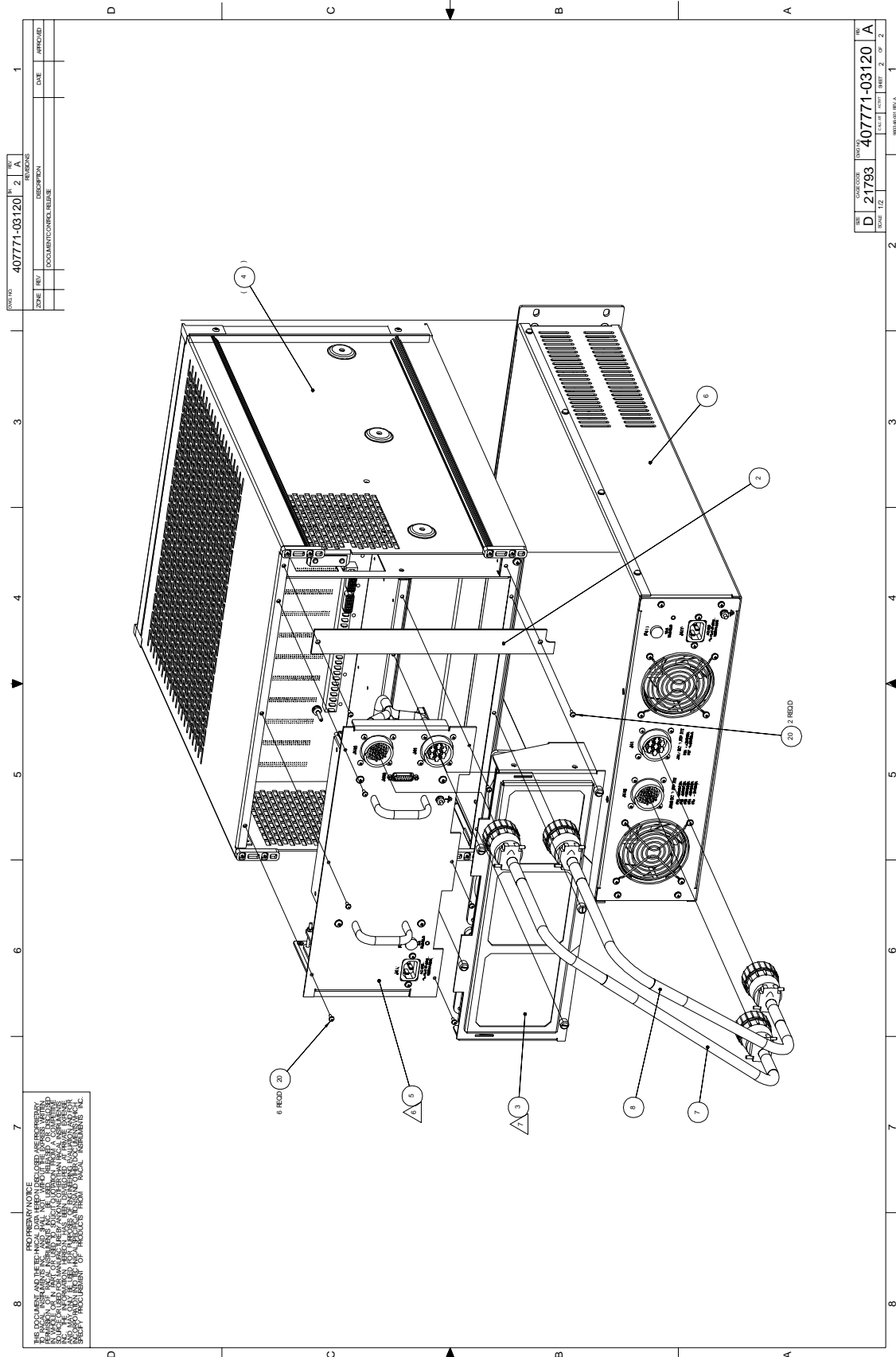
Table 7-1, Troubleshooting

PROBLEM	POSSIBLE CAUSES	WHAT TO DO
<p>“Power” annunciator does not come on</p>	<ul style="list-style-type: none"> • Power supply not properly connected. • 1261B-Linear mainframe or power supply not connected to power source. • Power/On/Standby switch not switched on. • Blown AC Mains Fuse. • Power supply protections are active causing the supply to be “shutdown”. 	<ul style="list-style-type: none"> • Verify that the power supply assembly is fully cabled to the 1261B-Linear mainframe • Make sure that the 1261B-Linear is connected to a live electrical outlet. Try operating another piece of equipment from this outlet. • Set the front Power On/Standby switch to the ON position (See “Powering On The 1261B-Linear” in Chapter 3). • Unplug AC mains power and check all fuses. See “Removing and Replacing the AC Mains Fuse” in Chapter 7. • Refer to “Power Supply Protections” in Chapter 6. • Cycle power to clear fault. If fault persists remove installed VXI modules (cycle power) until fault is cleared.

PROBLEM	POSSIBLE CAUSES	WHAT TO DO
Voltage alarm condition.	<ul style="list-style-type: none"> • Faulty VXI module installed or voltage fault occurred • VXI supply is out of tolerance 	<ul style="list-style-type: none"> • Cycle power. • If fault persists remove installed VXI modules until fault indication is cleared. • Perform Basic Functional Check procedure from Chapter 3. • For EMS equipped mainframe check VXI supply voltage levels and that alarm limits are valid. (See Chapter 4)
Temperature alarm condition	<ul style="list-style-type: none"> • Module temperature rise or max ambient limit exceeded or Insufficient module cooling air 	<ul style="list-style-type: none"> • Check T and Tmax outputs at rear panel. • Check for restrictions to airflow at mainframe intake and exhaust. • Check fan TACH outputs at rear panel. • Query EMS to check ambient temperature, slot temperature rise, and fan speed to verify values and limits. Refer to Chapter 4. • Clean mainframe module cooling fan filter.
Airflow alarm condition	<ul style="list-style-type: none"> • Fan speed tolerance limit exceeded 	<ul style="list-style-type: none"> • Check fan TACH outputs at rear panel • Query EMS to check fan speed values and to verify limits. Refer to Chapter 4. • Check for restrictions to airflow at mainframe intake and exhaust. • Clean mainframe module cooling fan filter.

Assembly Drawings

407771-03120	1261B-Linear Enclosure Assembly	7-15
407771-03112	1261B-Linear W/EMS Enclosure Assy	7-17
407771-03120	1261B-Linear Parts Lists	7-19
407771-03112	1261B-Linear W/EMS Parts List.....	7-20
407771-13120	1261B-Linear Enclosure Assembly	7-21
407771-13112	1261B-Linear W/EMS Enclosure Assy	7-23
407771-13120	1261B-Linear Parts Lists	7-25
407771-13112	1261B-Linear W/EMS Parts List.....	7-26
407771-04120	1261B-Linear Enclosure Assembly, 12V@10A.....	7-27
407771-04112	1261B-Linear Enclosure Assembly, W/EMS, 12V@10A.....	7-30



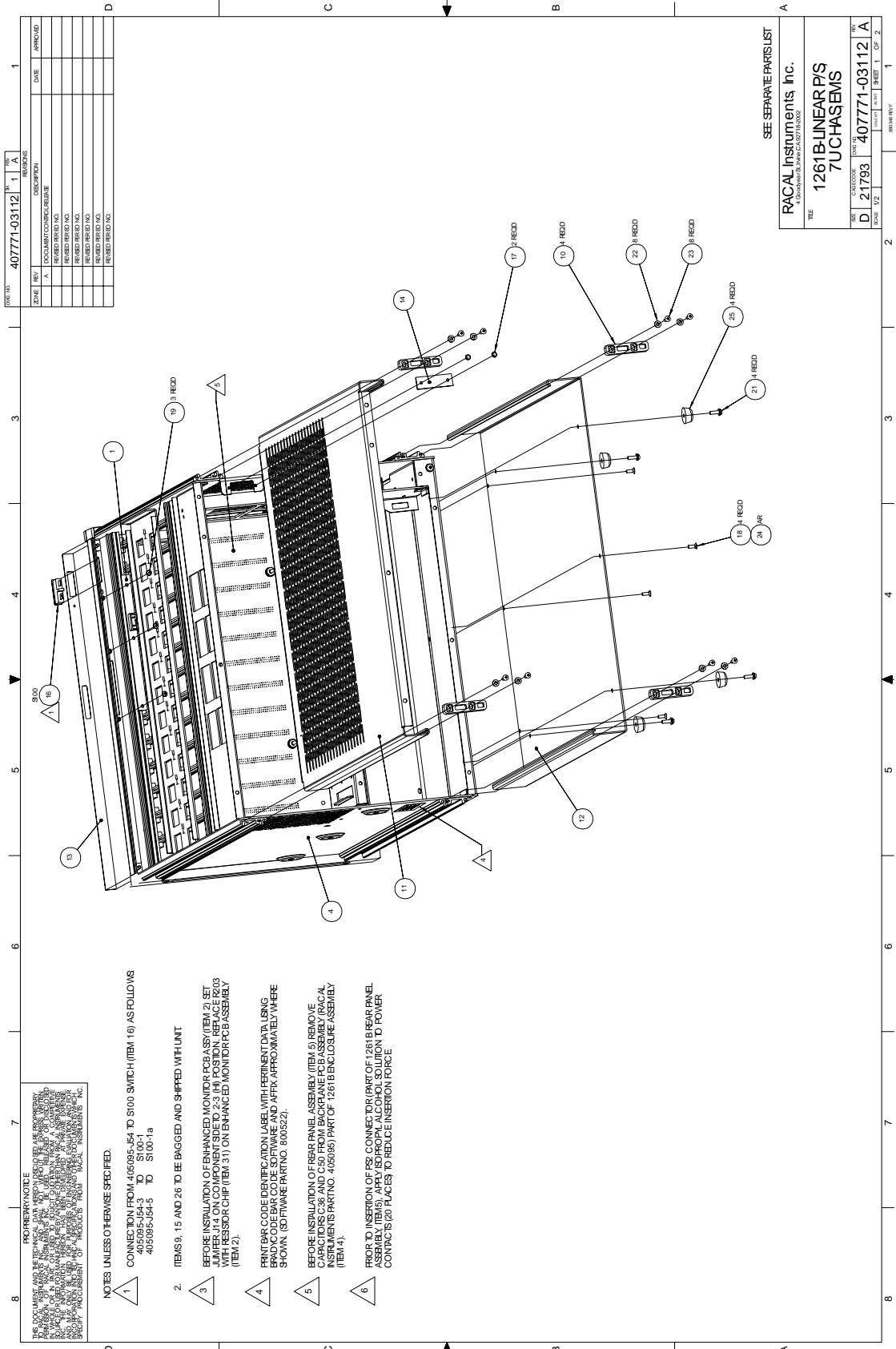
DATE	REV	DESCRIPTION	DATE	APPROVED

DATE	REV	DESCRIPTION	DATE	APPROVED

PROPERTY NOTICE:
 THIS DOCUMENT IS THE PROPERTY OF EADS NORTH AMERICA DEFENSE TEST AND SERVICES, INC. AND IS LOANED TO YOU. IT IS TO BE USED ONLY FOR THE PURPOSES SPECIFIED IN THE REQUEST FOR INFORMATION. IT IS NOT TO BE REPRODUCED, COPIED, OR DISTRIBUTED IN ANY MANNER WITHOUT THE WRITTEN PERMISSION OF EADS NORTH AMERICA DEFENSE TEST AND SERVICES, INC.

DATE	REV	DESCRIPTION	DATE	APPROVED

DATE	REV	DESCRIPTION	DATE	APPROVED



ZONE	REV	DESCRIPTION	DATE	APPROVED
A	1	DOCUMENT CONTROL RELEASE		
		REVISED REVISION NO.		
		REVISED REVISION NO.		
		REVISED REVISION NO.		
		REVISED REVISION NO.		
		REVISED REVISION NO.		

SEE SEPARATE PARTS LIST

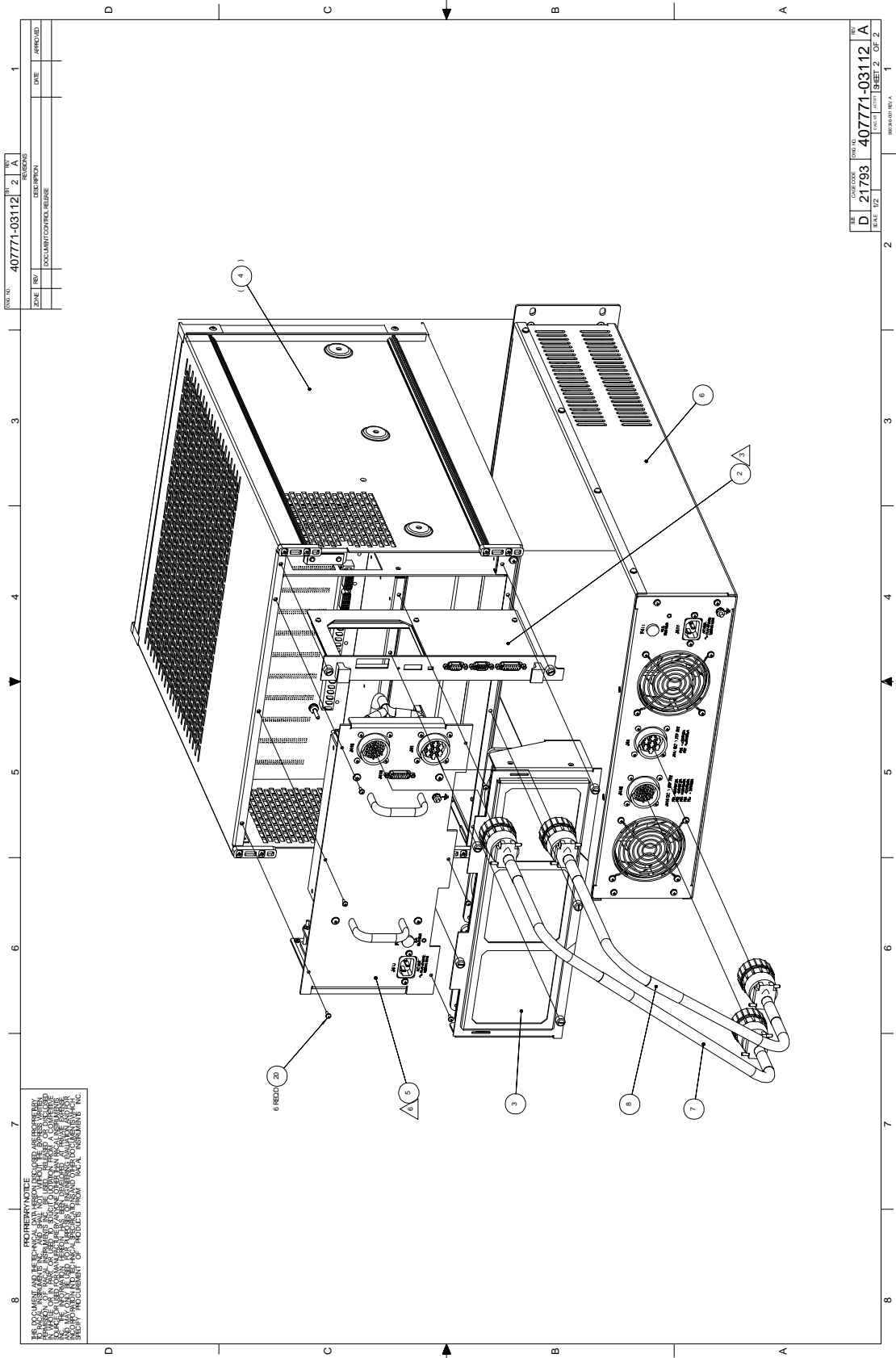
RACAL Instruments, Inc.
A COMPANY OF THE LINGUE GROUP

**1261B-LINEAR P/S
 7U CHASISMS**

TEL: 21793 FAX: 21793 PART NO: 407771-03112 A

SCALE: 1/2" = 1" SHEET 1 OF 2

- PROHIBITION NOTE**
 THIS DOCUMENT AND THE INFORMATION CONTAINED HEREIN ARE UNCLASSIFIED EXCEPT WHERE SHOWN OTHERWISE. IT IS THE POLICY OF RACAL INSTRUMENTS, INC. TO MAKE THIS INFORMATION AVAILABLE TO THE PUBLIC. IT IS THE POLICY OF RACAL INSTRUMENTS, INC. TO MAKE THIS INFORMATION AVAILABLE TO THE PUBLIC.
- NOTES UNLESS OTHERWISE SPECIFIED:**
- 1 CONNECTION FROM 406095-654 TO S100 SWITCH (ITEM 16) AS FOLLOWS
 405095-354-3 TO S100-1
 405095-354-5 TO S100-1a
 - 2 ITEMS 9, 15 AND 26 TO BE BAGGED AND SHIPPED WITH UNIT
 - 3 BEFORE INSTALLATION OF ENHANCED MONITOR PCB ASSEMBLY (ITEM 2), SET THE ENHANCED MONITOR PCB ASSEMBLY (ITEM 2) TO THE POSITION SHOWN WITH THE ENHANCED MONITOR PCB ASSEMBLY (ITEM 2).
 - 4 PRINT BAR CODE IDENTIFICATION LABEL WITH PERMANENT INK USING BRADY CODE BAR CODE SOFTWARE AND AFFIX APPROXIMATELY WHERE SHOWN. (SOFTWARE PART NO. 800522).
 - 5 BEFORE INSTALLATION OF REAR PANEL ASSEMBLY (ITEM 5) REMOVE CHARACTERS C-38 AND C-50 FROM BACKPLANE PCB ASSEMBLY RACAL INSTRUMENTS PART NO. 405095-1 PART OF 1261B ENCLOSURE ASSEMBLY (ITEM 4).
 - 6 PRIOR TO INSERTION OF P/S CONNECTOR (PART OF 1261B REAR PANEL ASSEMBLY (ITEM 5)), APPLY ISOPROPYL ALCOHOL SOLUTION TO POWER CONTACTS (20 PLACES) TO REDUCE INSERTION FORCE.



REV. NO.	407771-03112	2	A
DATE			
APPROVED			
DATE			
DESCRIPTION	DOCUMENT CONTROL RELEASE		

REV. NO.	407771-03112	A
DATE		
APPROVED		
DATE		
DESCRIPTION	DOCUMENT CONTROL RELEASE	

EADS North America Defense Test and Services, INC.

Assembly 407771-03120

1261B-LINEAR P/S₁ 7U CHASSIS

Date 12/06/99 Revision A

#	Component	Description	U/M	Qty Reqd	Ref
1	210149	DILED-002. 1V00. 02A-PANEL/GRN	-E EA	1.00000	CR101
2	456553	PLATE,COVER,REAR,1261B KEY	-D EA	1.00000	
3	407375-001	FAN ASSY,1261B,2-SPEED	-D EA	1.00000	
4	407378-001	ENCLOSURE ASSY,KEY 1261B	-D EA	1.00000	
5	407702	REAR PANEL ASSY,1261B	-D EA	1.00000	
6	407703	PWR SUPPLY ASSY,3U VXI LIN	-D EA	1.00000	
7	407704-001	CABLE ASSY, 1261BL5, P416/P416	-D EA	1.00000	
8	407704-002	CABLE ASSY, 1261BL5, P417/P417	-D EA	1.00000	
9	456271	COVER,CARD GUIDE,MOLDED	-D EA	6.00000	
10	456341	FOOT,REAR	-D EA	4.00000	
11	456352	COVER,TOP	-D EA	1.00000	
12	456353	COVER,BOTTOM	-D EA	1.00000	
13	456376-003	OVERLAY,FRONT PNL,1261B KEY	-D EA	1.00000	
14	456379	PANEL,CONNECTOR FILLER	-D EA	1.00000	
15	602262	CORD, POWER 15A, 1261B, 320-C15	-D EA	1.00000	
16	602235	SWITCH, ROCKER, SNAP-IN	-E EA	1.00000	S100
17	611327	RVT-PP-PAN.250DX.240	-E EA	2.00000	W/ITEM 14
18	615558	SIM-PFL1H006-32X.375	-D EA	4.00000	W/ITEM 12
19	610777	TIE-CA-LKG- .062-. 750	-E EA	1.00000	
20	616253	S3M-PPANH004-40X.375	-E EA	8.00000	W/ITEMS 2,5
21	616257	S3M-PPANH006-32X.500	-E EA	4.00000	W/ITEM 25
22	617103	w1F006.312D.028T.147	-E EA	8.00000	W/ITEM 10
23	618112	SIF-PP-Q06-20X.500	-D EA	8.00000	W/ITEM 10
24	920962	LOCTITE-242-MED STR	-D EA	.00001	W/ITEM 18
25	921515	FOOT,BUMPER.38 HIGH x.77 DIA	-E EA	4.00000	W/ITEM 12
26	611323	CLP-CA-STD. N/ACN/A	-E EA	1.00000	
27	SP-180-CB	SHIPPING CARTON	EA	1.00000	
28	SP-199-CD	FOAM	EA	1.00000	
29	SP-200-CB	CARTON BOX	EA	1.00000	
30	SP-204-CD	FOAM	EA	1.00000	
32	980844	MANUAL,USER, 1261B-LINEAR	EA	1.00000	

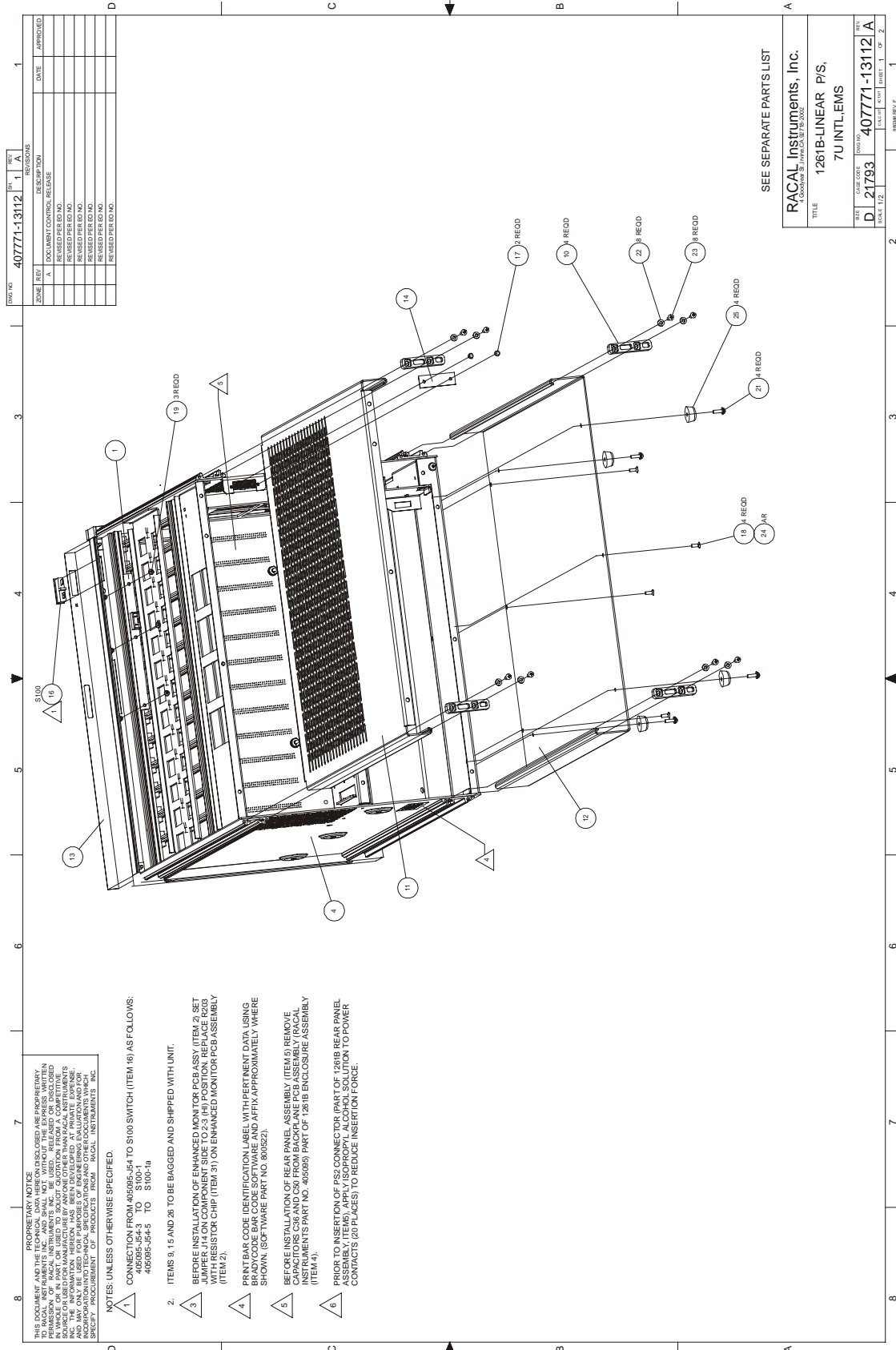
EADS North America Defense Test and Services, INC.

Assembly 407771-03112

1261B-LINEAR P/S, 7U CHAS, EMS

Date 12/06/99 Revision A

#	Component	Description	U/M	Qty Reqd	Ref
	980844	MANUAL, USER, 1261B-LINEAR	EA	1.00000	
1	405091-002	PCB ASSY,DISPLAY,ENHANCED	-D EA	1.00000	
2	405094	PCB ASSY, ENHANCED MONITOR	-D EA	1.00000	
3	407375	FAN ASSY, 1261B	-D EA	1.00000	
4	407378	ENCLOSURE ASSY, 1261B	-D EA	1.00000	
5	407702	REAR PANEL ASSY, 1261B	-D EA	1.00000	
6	407703	PWR SUPPLY ASSY, 3U VXI LIN	-D EA	1.00000	
7	407704-001	CABLE ASSY, 1261BL5, P416/P416	-D EA	1.00000	
8	407704-002	CABLE ASSY, 1261BL5, P417/P417	-D EA	1.00000	
9	456271	COVER,CARD GUIDE, MOLDED	-D EA	6.00000	
10	456341	FOOT, REAR	-D EA	4.00000	
11	456352	COVER, TOP	-D EA	1.00000	
12	456353	COVER, BOTTOM	-D EA	1.00000	
13	456376-002	OVERLAY, FRONT PANEL, DISPLAY	-D EA	1.00000	
14	456379	PANEL,CONNECTOR FILLER	-D EA	1.00000	
15	602262	CORD, POWER 15A, 1261B, 320-C1S	-D EA	1.00000	
16	602235	SWITCH, ROCKER, SNAP-IN	-E EA	1.00000	S100
17	611327	RVT-PP-PAN.250DX.240	-E EA	2.00000	W/ITEM 14
18	615558	SIM-PFL1H006-32X.375	-D EA	4.00000	W/ITEM 12
19	616251	53M-PPANH004-40X.250	-E EA	3.00000	W/ITEM 1
20	616253	53M-PPANH004-40X. 375	-E EA	6.00000	W/ITEM 5
21	616257	53M-PPANH006-32X.500	-E EA	4.00000	W/ITEM 25
22	617103	W1F006.3120.028T.147	-E EA	8.00000	W/ITEM 10
23	618112	S1F-PPANH006-20X.500	-D EA	8.00000	W/ITEM 10
24	920962	LOCTITE-242-MED STR	-D EA	.00001	W/ITEM 18
25	921515	FOOT,BUMPER.38 HIGH x.77 DIA	-E EA	4.00000	W/ITEM 12
27	SP-180-CB	SHIPPING CARTON	EA	1.00000	
28	SP-199-CD	FOAM	EA	1.00000	
29	SP-200-CB	CARTON BOX	EA	1.00000	
30	SP-204-CD	FOAM	EA	1.00000	
31	050000-000	RSCHI-000.00H.06w005	-E EA	1.00000	W/ITEM 2



ZONE	REV	DESCRIPTION	DATE	APPROVED
A	1	DOCUMENT CONTROL RELEASE		
		REVISIONS		
		REVISION CONTROL RELEASE		
		REVISION PERIOD NO.		
		REVISION PERIOD NO.		
		REVISION PERIOD NO.		
		REVISION PERIOD NO.		

PROPRIETARY NOTICE: THIS DOCUMENT AND THE INFORMATION CONTAINED HEREIN ARE PROPRIETARY TO RACAL INSTRUMENTS, INC. AND SHALL NOT BE DISCLOSED OR REPRODUCED IN ANY MANNER OR BY ANY MEANS, ELECTRONIC OR MECHANICAL, INCLUDING PHOTOCOPYING, RECORDING, OR BY ANY INFORMATION STORAGE AND RETRIEVAL SYSTEM, WITHOUT THE WRITTEN PERMISSION OF RACAL INSTRUMENTS, INC. THE INFORMATION HEREON HAS BEEN DEVELOPED AT PRIVATE EXPENSE AND IS NOT TO BE DISCLOSED OR REPRODUCED IN ANY MANNER OR BY ANY MEANS, ELECTRONIC OR MECHANICAL, INCLUDING PHOTOCOPYING, RECORDING, OR BY ANY INFORMATION STORAGE AND RETRIEVAL SYSTEM, WITHOUT THE WRITTEN PERMISSION OF RACAL INSTRUMENTS, INC. SPECIFY PROCUREMENT OF PRODUCTS FROM RACAL INSTRUMENTS, INC. UNLESS OTHERWISE SPECIFIED.

1. CONNECTION FROM 465055-J54 TO S100 SWITCH (ITEM 16) AS FOLLOWS:
465055-J54-1 TO S100-1
465055-J54-5 TO S100-1a

2. ITEMS 9, 15 AND 20 TO BE BAGGED AND SHIPPED WITH UNIT.

3. BEFORE INSTALLATION OF ENHANCED MONITOR PCB ASSY (ITEM 2), SET THE RESISTOR CHIP (ITEM 3) ON ENHANCED MONITOR PCB ASSEMBLY (ITEM 2).

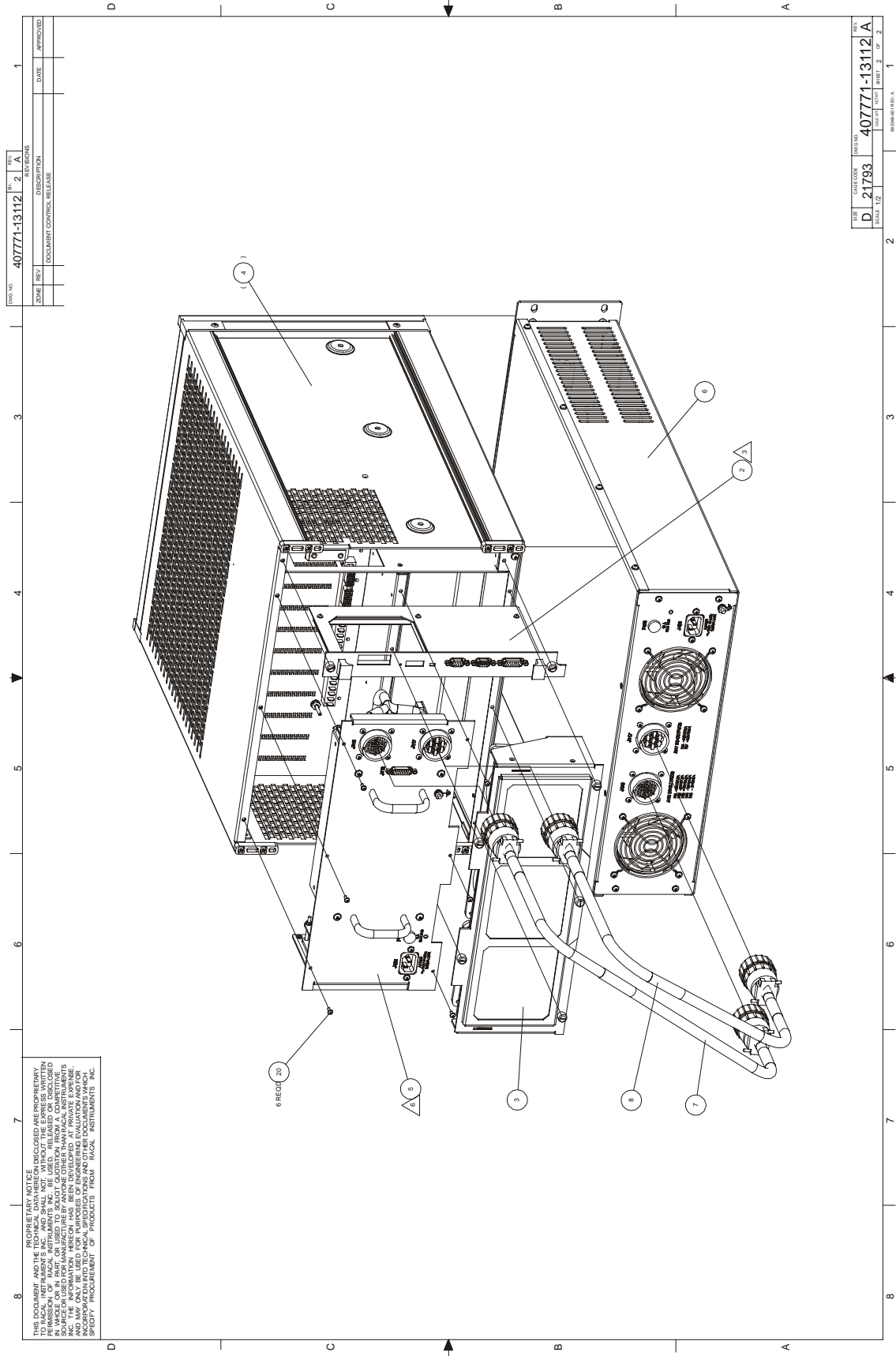
4. PRINT BAR CODE IDENTIFICATION LABEL WITH PERTINENT DATA USING THE LABELING TOOL (PART NO. 465059) AT FIX APPROXIMATELY WHERE SHOWN. (SOFTWARE PART NO. 800522).

5. BEFORE INSTALLATION OF REAR PANEL ASSEMBLY (ITEM 5) REMOVE THE ENHANCED MONITOR PCB ASSY (ITEM 2) FROM THE UNIT. (RACAL INSTRUMENTS PART NO. 465059) PART OF 1261B ENCLASURE ASSEMBLY (ITEM 4).

6. PRIOR TO INSERTION OF FSZ CONNECTOR (PART OF 1261B REAR PANEL ASSEMBLY) INTO THE FSZ CONNECTOR (PART OF 1261B REAR PANEL ASSEMBLY) CONTACTS (20 PLACES) TO REDUCE INSERTION FORCE.

SEE SEPARATE PARTS LIST

RACAL Instruments, Inc.	
TITLE 1261B-LINEAR P/S, 7U INTLEMS	
REV D	DATE 21793
DRAWING NO. 407771-13112 A	
SCALE 1:1	
SHEET 1 OF 2	



DATE	REV	DESCRIPTION	REV
	1	DOCUMENT CONTROL RELEASE	A
	2		A
	3		A
	4		A
	5		A
	6		A
	7		A
	8		A

DATE	REV	DESCRIPTION	REV
	1	DOCUMENT CONTROL RELEASE	A
	2		A
	3		A
	4		A
	5		A
	6		A
	7		A
	8		A

1261B-Linear User Manual

P5R350

1 LBMC

PACAL INSTRUMENTS INC.
Product Structure Report
By Assembly/Balloon No.PAGE1
2/14/01

Assembly 407771-13120

Low Level Cd

U/N EA 1261B-LINEAR P/S,7U INTL -D Rev Date 1/22/01 Revision A

#	Component	Description	U/N	Oty Reqd	Engineer Txt
1	210149	DILED-002. 1V00. 02A-PANEL/GRN	-D EA	1.00000	CR101
2	456553	PLATE,COVER,RRAR,1261B KEY	-D EA	1.00000	
3	407375-001	FAN ASSY, 1261B, 2-SPEED	-D EA	1.00000	
4	407378-001	ENCLOSURE ASSY,KEY 1261B	-D EA	1.00000	
5	407702-001	REAR PANEL ASSY,INTL,1261B	-D EA	1.00000	
6	407703-001	PWR SUPPLY ASSY,INTL,VXI LIN	-D EA	1.00000	
7	407704-001	CABLE ASSY, 1261BL5,P416/P416	-D EA	1.00000	
8	407704-002	CABLE ASSY, 1261BL5, P417/P417	-D EA	1.00000	
9	456271	COVER, CARD GUIDE,MOLDED	-D EA	6.00000	
10	456341	FOOT, REAR	-D EA	4.00000	
11	456352	COVER, TOP	-D EA	1.00000	
12	456353	COVER, BOTTOM	-D EA	1.00000	
13	456376-003	OVERLAY,FRONT PNL,1261B KEY	-D EA	1.00000	
14	456379	PANEL, CONNECTOR FILLER	-D EA	1.00000	
15	602269	CORD, POWER, 10A, CONT EUROPE	-E EA	2.00000	
16	602235	SWITCH, ROCKER, SNAP-IN	-E EA	1.00000	S100
17	611327	RVT-PP-PAN.250DX.240	-E EA	2.00000	W/ITEM 14
18	615558	S1M-PFL1H006-32X. 375	-D EA	4.00000	W/ITEM 12
19	610777	TIE-CA-LEG- .062-. 750	-E EA	1.00000	
20	616253	53M-PPANH004-40X.375	-E EA	8.00000	W/ITEMS 2,5
21	616257	53M-PPANH006-32X.500	-E EA	4.00000	W/ITEM 25
22	617103	W1FO06.312D.028T.147	-E EA	8.00000	W/ITEM 10
23	618112	S1F-PPANH006-20X. 500	-D EA	8.00000	W/ITEM 10
24	920962	LOCTITE-242-MED STR	-D EA	.00001	W/ITEM 18
25	921515	FOOT,BUNPER.38 HIGH x.77	-E EA	4.00000	W/ITEM 12
26	611323	CLP-CA-STD.N/ACN/A	E EA	1.00000	
27	SP-180-CB	SHIPPING CARTON	EA	1.00000	
28	SP-199-CD	FOAM	EA	1.00000	
29	SP-200-CB	CARTON BOX	EA	1.00000	
30	SP-204-CD	FOAM	EA	1.00000	
32	980844	MANUAL,USER, 1261B-LINRAR	EA	1.00000	

PSR350

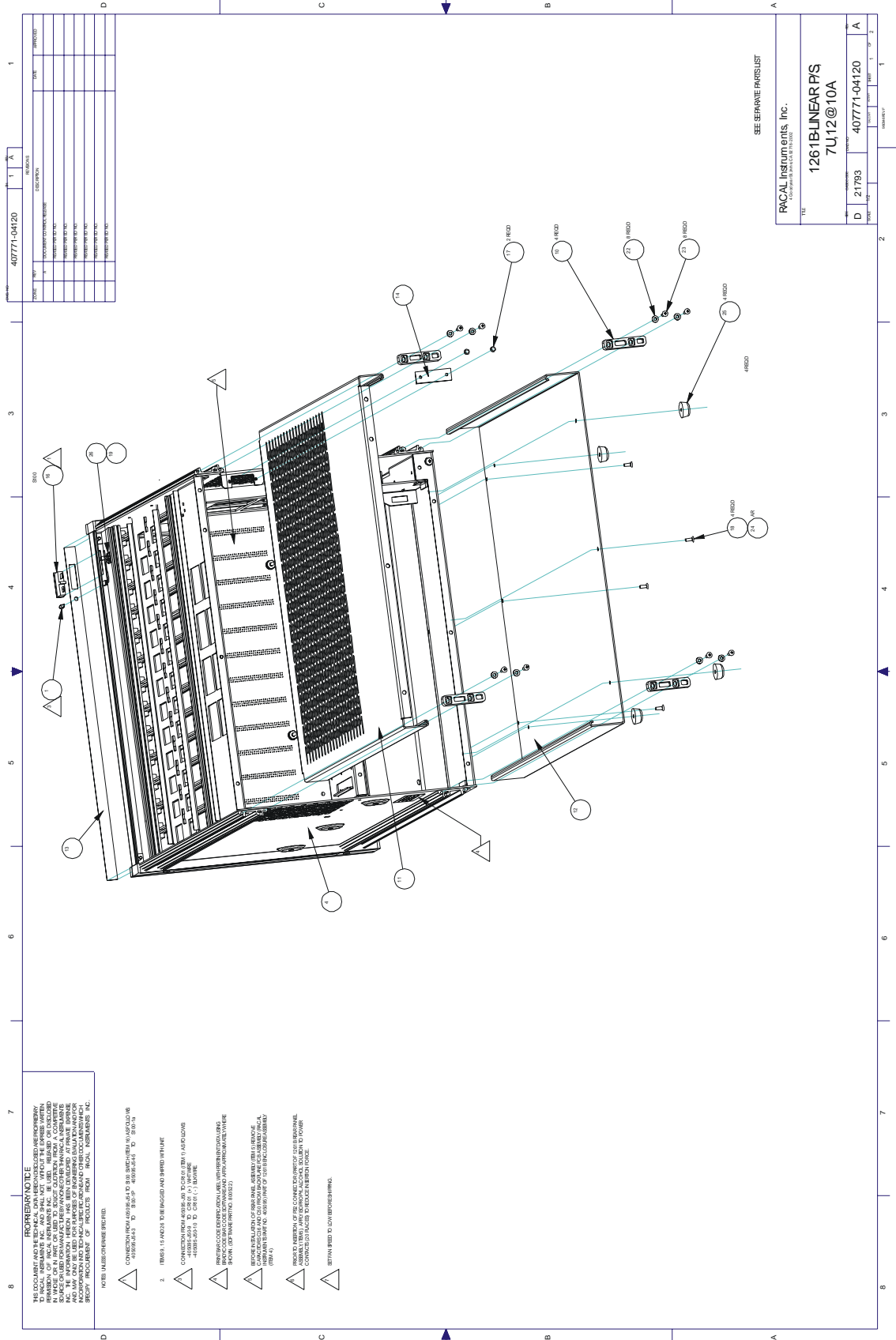
1 LPMC

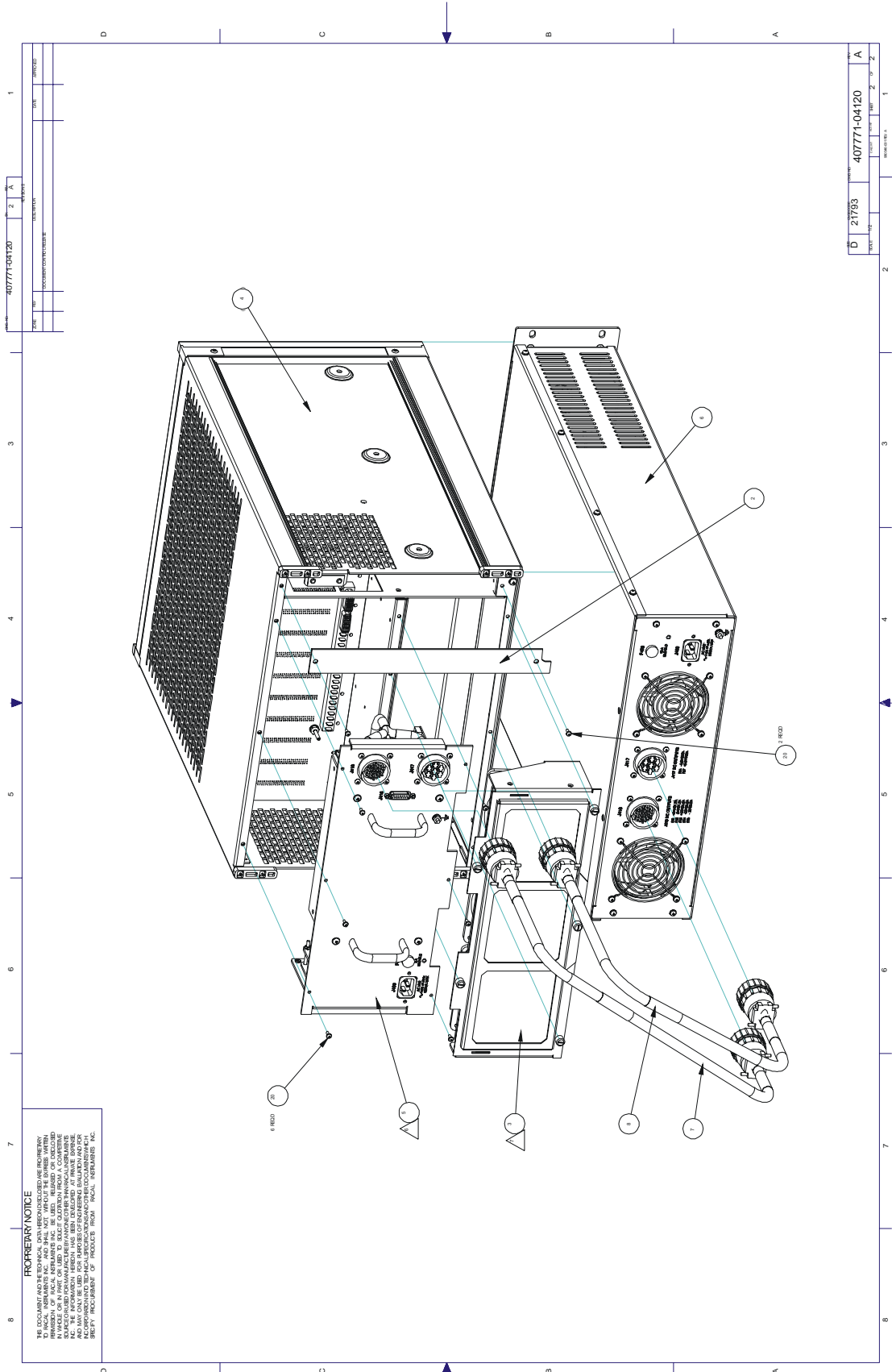
RACAL INSTRUMENTS INC.
Product Structure Report
By Assembly/Balloon No.

PAGE1
2/14/01

Assembly 407771-13112 Low Level Cd
U/N EA 12615-LINEAR P/S,7U INTL,EMS-D Rev Date 1/22/01 Revision A

#	Component	Description	U/N	Qty Reqd	Engineer Txt
1	405091-002	PCB ASSY,DISPLAY,ENHANCED	-D EA	1.00000	
2	405094	PCB ASSY,ENHANCED MONITOR	-D EA	1.00000	
3	407375	FAN ASSY,1261B	-D EA	1.00000	
4	407378	ENCLOSURE ASSY,1261B	-D EA	1.00000	
5	407702-001	REAR PANEL ASSY,INTL,1261B	-D EA	1.00000	
6	407703-001	PWR SUPPLY ASSY,INTL,VXI LIN	-D EA	1.00000	
7	407704-001	CABLE ASSY,1261BL5,P416/P416	-D EA	1.00000	
8	407704-002	CABLE ASSY, 1261BL5,P417/P417	-D EA	1.00000	
9	456271	COVER,CARD GUIDE,MOLDED	-D EA	6.00000	
10	456341	FOOT,REAR	-D EA	4.00000	
11	456352	COVER, TOP	-D EA	1.00000	
12	456353	COVER,BOTTOM	-D EA	1.00000	
13	456376-002	OVERLAY,FRONT PANEL,DISPLAY	-D EA	1.00000	
14	456379	PANEL,CONNECTOR FILLER	-D EA	1.00000	
15	602269	CORD,POWER,10A,CONT EUROPE	-E EA	2.00000	
16	602235	SWITCH,ROCKER,SNAP-IN	-E EA	1.00000	S100
17	611327	RVT-PP-PAN.2SODX.240	-E EA	2.00000	W/ITEM 14
18	615558	S1M-PFL1H006-32X.375	-D EA	4.00000	W/ITEM 12
19	616251	53M-PPANH004-40X.250	-E EA	3.00000	W/ITEM 1
20	616253	53N-PPANH004-40X.375	-E EA	6.00000	W/ITEM 5
21	616257	53M-PPANH006-32X.500	-E EA	4.00000	W/ITEM 25
22	617103	W1F006.312D.028T.147	-E EA	8.00000	W/ITEM 10
23	618112	S1F-PPANH006-20X.500	-D EA	8.00000	W/ITEM 10
24	920962	LOCTITE-242-MED STR	-D EA	.00001	W/ITEM 18
25	921515	FOOT,BUMPER.38 HIGH x.77 DIA	-E EA	4.00000	W/ITEM 12
27	SP-180-CB	SHIPPING CARTON	EA	1.00000	
28	SP-199-CD	FOAM	EA	1.00000	
29	SP-200-CB	CARTON BOX	EA	1.00000	
30	SP-204-CD	FOAM	EA	1.00000	
31	050000-000	RSCH1-000.00H.06W005	-E EA	1.00000	W/ITEM 2
32	980844	MANUAL, USER, 1261B-LINEAR	EA	1.00000	





DATE	40777-04120	REV	1
DESCRIPTION	DOCUMENT FOR THE	DATE	REV
REVISION			

REV	1	DATE	2	REV	2
DESCRIPTION					

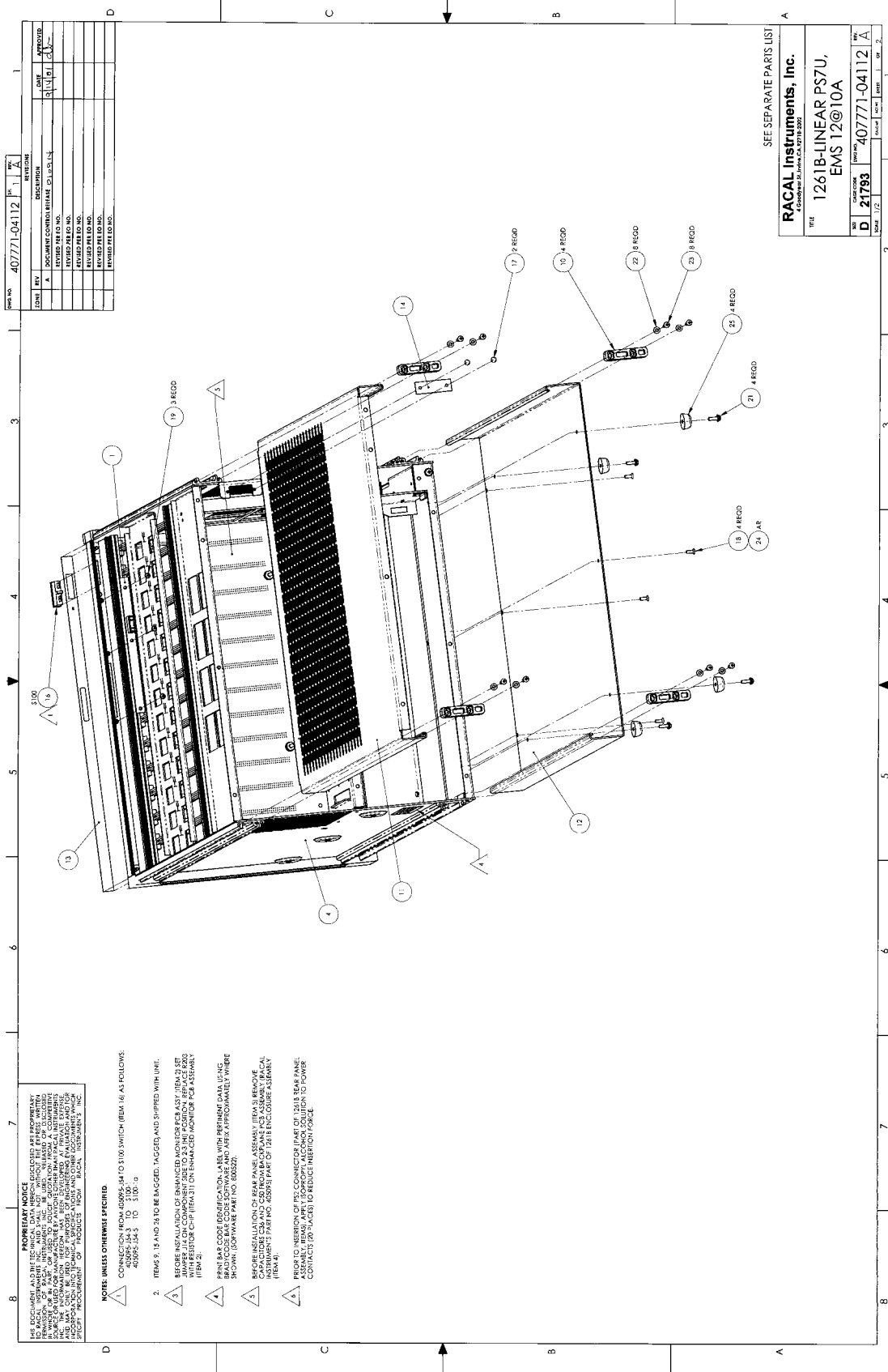
PROPRIETARY NOTICE
 THE DOCUMENT AND THE TECHNICAL DATA HEREIN DISCLOSED ARE THE PROPERTY OF RAYSONIC CORPORATION. NO PART OF THIS DOCUMENT IS TO BE REPRODUCED OR TRANSMITTED IN ANY FORM OR BY ANY MEANS, ELECTRONIC OR MECHANICAL, INCLUDING PHOTOCOPYING, RECORDING, OR BY ANY INFORMATION STORAGE AND RETRIEVAL SYSTEM, WITHOUT THE WRITTEN PERMISSION OF RAYSONIC CORPORATION. THIS DOCUMENT IS THE PROPERTY OF RAYSONIC CORPORATION AND IS TO BE USED ONLY FOR THE PURPOSES SPECIFIED IN THE TITLE AND FOR THE SPECIFIC PROJECT OF PRODUCTS FROM RAYSONIC CORPORATION, INC.

1261B-Linear User Manual

Assembly 407771-04120
Description 1261B-LINEAR P/S, 7U, 12@10A -N
EA

Low Level Code 00
Revision Date 2001-07-26
Revision A

#	Component	Description	UM	Qty Reqd	Txt
1	210149	DILED-002.1V00.02A-PANEL/GRN	EA	1.000	
2	456553	PLATE,COVER,REAR,1261B KEY	EA	1.000	
3	407375-001	FAN ASSY,1261B,2-SPEED	EA	1.000	
4	407378-001	ENCLOSURE ASSY,KEY 1261B	EA	1.000	
5	407702	REAR PANEL ASSY,1261B	EA	1.000	
6	407703-100	PWR SUPPLY ASSY,3U,LIN,S1807	EA	1.000	
7	407704-101	CABLE ASSY,P416/P416	EA	1.000	
8	407704-102	CABLE ASSY,P417/P417	EA	1.000	
9	456271	COVER,CARD GUIDE,MOLDED	EA	6.000	
10	456341	FOOT,REAR	EA	4.000	
11	456352	COVER,TOP	EA	1.000	
12	456353	COVER,BOTTOM	EA	1.000	
13	456376-003	OVERLAY,FRONT PNL,1261B KEY	EA	1.000	
14	456379	PANEL,CONNECTOR FILLER	EA	1.000	
15	602262	CORD,POWER 15A,1261B,320-C15	EA	1.000	
16	602235	SWITCH,ROCKER,SNAP-IN	EA	1.000	
17	611327	RVT-PP-PAN.250DX.240	EA	2.000	
18	615558	S1M-PFL1H006-32X.375	EA	4.000	
19	610777	TIE-CA-LKG-.062-.750	EA	1.000	
20	616253	S3M-PPANH004-40X.375	EA	8.000	
21	616257	S3M-PPANH006-32X.500	EA	4.000	
22	617103	W1F006.312D.028T.147	EA	8.000	
23	618112	S1F-PPANH006-20X.500	EA	8.000	
24	920962	LOCTITE-242-MED STR	EA		
25	921515	FOOT,BUMPER.38 HIGH x.77 DIA	EA	4.000	
26	611323	CLP-CA-STD.N/ACN/A	EA	.000	
27	SP-180-CB	SHIPPING CARTON	EA	1.000	
28	SP-199-CD	FOAM	EA	1.000	
29	SP-200-CB	CARTON BOX	EA	1.000	
30	SP-204-CD	FOAM	EA	1.000	
32	980844	MANUAL,USER,1261B-LINEAR	EA	1.000	



DATE	REV	DESCRIPTION	BY	CHK
	A	DOCUMENT CONTROL REVISIONS		
		REVISED FILE NO.		
		REVISED FILE NO.		
		REVISED FILE NO.		
		REVISED FILE NO.		

SEE SEPARATE PARTS LIST

RACAL Instruments, Inc.
4 Corporate Park, Irvine, CA 92714-5000

FILE: **1261B-LINEAR PS7U, EMS 12@10A**

REV	DATE	BY	CHK	APP
D	21793			

Part No. 407771-04112 A

PROBABLE NOTICE

THE DOCUMENT AND ITS TECHNICAL DATA ARE UNCLASSIFIED AND ARE PROPRIETARY INFORMATION OF RACAL INSTRUMENTS, INC. IT IS TO BE CONTROLLED AND NOT TO BE DISCLOSED TO ANY OTHER PERSON OR ENTITY WITHOUT THE WRITTEN PERMISSION OF RACAL INSTRUMENTS, INC. THIS DOCUMENT IS THE PROPERTY OF RACAL INSTRUMENTS, INC. IT IS TO BE CONTROLLED AND NOT TO BE DISCLOSED TO ANY OTHER PERSON OR ENTITY WITHOUT THE WRITTEN PERMISSION OF RACAL INSTRUMENTS, INC. IT IS TO BE CONTROLLED AND NOT TO BE DISCLOSED TO ANY OTHER PERSON OR ENTITY WITHOUT THE WRITTEN PERMISSION OF RACAL INSTRUMENTS, INC.

- NOTE: UNLESS OTHERWISE SPECIFIED**
- 1 CONNECTION FROM 25995-541 TO 8103 SWITCH (ITEM 16) AS FOLLOWS:
 25995-544 3 TO 5105-a
 - 2 ITEMS 9, 15 AND 28 TO BE ENGAGED, TAGGED, AND SHIPPED WITH UNIT.
 - 3 BEFORE INSTALLATION OF ENHANCED MONITOR FOR EASY, ITEM 23 SET SWITCH OF COMPONENT JUNE TO 2A IN POSITION REF. ACT 8020 FOR USE OF ITEM 21. DO NOT ENGAGE MONITOR FOR EASY (ITEM 21).
 - 4 PRINT BAR CODE IDENTIFICATION LABEL WITH PREPARED MAIL USING BRAND CODE BAR CODE SOFTWARE AND AFFIX APPROPRIATELY WHERE SHOWN (SOFTWARE PART NO. 88552).
 - 5 BEFORE INSTALLATION OF REAR PANEL ASSEMBLY (ITEM 3) REMOVE THE REAR PANEL ASSEMBLY FROM THE REAR PANEL ASSEMBLY (ITEM 4). DISCONNECT THE 28P AND 25P PART OF THE 1261B CONNECTOR (ITEM 4).
 - 6 PREP TO INSERTION OF PEG CONNECTOR (PART OF 1261B REAR PANEL ASSEMBLY, REAR APP.) ISOROPHETALONIC SOLUTION TO POWER CONNECT (50-1462) TO REDUCE INTERFERENCE.

Assembly 407771-04112
 Description 1261B-LINEAR PS7U, EMS 12@10A-N
 EA

Low Level Code 00
 Revision Date 2001-06-14
 Revision A

#	Component	Description	UM	Qty Reqd	Txt
1	405091-002	PCB ASSY,DISPLAY,ENHANCED	EA	1.000	
2	405094	PCB ASSY,ENHANCED MONITOR	EA	1.000	
3	407375	FAN ASSY,1261B	EA	1.000	
4	407378	ENCLOSURE ASSY,1261B	EA	1.000	
5	407702	REAR PANEL ASSY,1261B	EA	1.000	
6	407703-100	PWR SUPPLY ASSY,3U,LIN,S1807	EA	1.000	
7	407704-101	CABLE ASSY,P416/P416	EA	1.000	
8	407704-102	CABLE ASSY,P417/P417	EA	1.000	
9	456271	COVER,CARD GUIDE,MOLDED	EA	6.000	
10	456341	FOOT,REAR	EA	4.000	
11	456352	COVER,TOP	EA	1.000	
12	456353	COVER,BOTTOM	EA	1.000	
13	456376-002	OVERLAY,FRONT PANEL,DISPLAY	EA	1.000	
14	456379	PANEL,CONNECTOR FILLER	EA	1.000	
15	602262	CORD,POWER 15A,1261B,320-C15	EA	1.000	
16	602235	SWITCH,ROCKER,SNAP-IN	EA	1.000	
17	611327	RVT-PP-PAN.250DX.240	EA	2.000	
18	615558	S1M-PFL1H006-32X.375	EA	4.000	
19	616251	S3M-PPANH004-40X.250	EA	3.000	
20	616253	S3M-PPANH004-40X.375	EA	6.000	
21	616257	S3M-PPANH006-32X.500	EA	4.000	
22	617103	W1F006.312D.028T.147	EA	8.000	
23	618112	S1F-PPANH006-20X.500	EA	8.000	
24	920962	LOCTITE-242-MED STR	EA		
25	921515	FOOT,BUMPER.38 HIGH x.77 DIA	EA	4.000	
27	SP-180-CB	SHIPPING CARTON	EA	1.000	
28	SP-199-CD	FOAM	EA	1.000	
29	SP-200-CB	CARTON BOX	EA	1.000	
30	SP-204-CD	FOAM	EA	1.000	
31	050000-000	RSCH1-000.00H.06W005	EA	1.000	
35	980844	MANUAL,USER,1261B-LINEAR	EA	1.000	

Chapter 8

PRODUCT SUPPORT

Product Support

EADS North America Defense Test and Services, Inc. has a complete Service and Parts Department. If you need technical assistance or should it be necessary to return your product for repair or calibration, call 1-800-722-3262. If parts are required to repair the product at your facility, call 1-949-859-8999 and ask for the Parts Department.

When sending your instrument in for repair, complete the form in the back of this manual.

For worldwide support and the office closest to your facility, refer to the website for the most complete information <http://www.eads-nadefense.com>.

Warranty

Use the original packing material when returning the 1261B-Linear to EADS North America Defense Test and Services, Inc. for calibration or servicing. The original shipping container and associated packaging material will provide the necessary protection for safe reshipment.

If the original packing material is unavailable, contact EADS North America Defense Test and Services, Inc. Customer Service at 1-800-722-3262 for information.

REPAIR AND CALIBRATION REQUEST FORM

To allow us to better understand your repair requests, we suggest you use the following outline when calling and include a copy with your instrument to be sent to the EADS North America Defense Test and Service, Inc. Repair Facility.

Model _____ Serial No. _____ Date _____

Company Name _____ Purchase Order # _____

Billing Address _____

City

State/Province

Zip/Postal Code

Country

Shipping Address _____

City

State/Province

Zip/Postal Code

Country

Technical Contact _____ Phone Number () _____

Purchasing Contact _____ Phone Number () _____

1. Describe, in detail, the problem and symptoms you are having. Please include all set up details, such as input/output levels, frequencies, waveform details, etc.

2. If problem is occurring when unit is in remote, please list the program strings used and the controller type.

3. Please give any additional information you feel would be beneficial in facilitating a faster repair time (i.e., modifications, etc.)

4. Is calibration data required? Yes No (please circle one)

Call before shipping
Note: We do not accept
"collect" shipments.

Ship instruments to nearest support office.

Appendix A

SPECIFICATIONS

Specifications

This chapter contains the complete specifications for the 1261B Mainframe.

Table A-1, AC Input Specifications

Characteristic	Description
Input Voltage Range	115 V _{RMS} ±10% Domestic 220 V _{RMS} ±10% International
Input Frequency Range	47 Hz to 63 Hz
Power Consumption	1130 W (Power Supply) 190W (Mainframe)
Fuse Rating	115VAC Operation 3AG Slow Blow, 250VAC 15A (Power Supply) 3AG Slow Blow, 250VAC 3A (Mainframe) 220VAC Operation 5X20hm 10A, 250VAC 5X20hm 1.5A, 250VAC
Power Disconnect	Power cord provides main power disconnect at J400.

Table A-2, DC Output Power

Characteristic	Description	
DC Current Capacity (I_{MP})	Voltage	I_{MP} (Steady-State Current)
	+24V	7.2 A
	+12 V	10.2 A*
	+5 V	35 A
	-2V	3 A
	-5.2 V	18 A
	-12 V	6.8 A
	-24 V	7.2 A
	+5 V STDBY	0 A (1 A max, user supplied)
DC Voltage Regulation	Voltage	Tolerance, V
	+24 V	+1.2V, -720 mV
	+12 V	+600 mV, -360mV
	+5V	+250 mV, -125 mV
	-2V	-100 mV, +100 mV
	-5.2 V	-260 mV, +156 mV
	-12 V	-600 mV, +360 mV
	-24 V	-1.2 V, +720 mV
Load Ripple/Noise	Voltage	Ripple/Noise (X1 Probe, 10mHz Band Width)
	+24 V	4mV _{pp}
	+12 V	4mV _{pp}
	+5 V	4mV _{pp}
	-2 V	4mV _{pp}
	-5.2 V	4mV _{pp}
	-12 V	4mV _{pp}
	-24 V	4mV _{pp}
Protections	Short Circuit	
	Overload	

* 6.8A for 407771-X31XX

Table A-3, Cooling

Characteristic	Description
Per Slot Cooling Capacity	Typically over 80 W per slot @ 0.35 mm H ₂ O. Figure A-1 shows the worst slot cooling curve of the mainframe. Tested per VXI-8 Rev. 2.0
Cooling System	Forced air circulation (positive pressurization).
Fan Speed Control with EMS or SMS	A rear panel switch chooses between full speed and variable speed. On the chassis with EMS, the slot exhaust air temperature and ambient air temperature are monitored to maintain a constant temperature rise across the installed modules.
Fan Speed Control without EMS or SMS	A rear switch on the fan assembly chooses between full speed and low speed. On the chassis without EMS or SMS, the chassis runs quieter when operated outside the rack.
Slot Airflow Direction	P2 to P1, bottom of module to the top of module
Mainframe Intake, Bench Top	Bottom rear of mainframe
Mainframe Exhaust, Bench Top	Top of mainframe.
Mainframe Intake, Rack Mount Model	Bottom sides of mainframe, consistent with industry rack mount cooling practice
Mainframe Exhaust, Rack Mount Model	Rear of mainframe, top rear of mainframe, consistent with industry rack mount cooling practice.
Filter Access	Filter accessible from rear of the mainframe

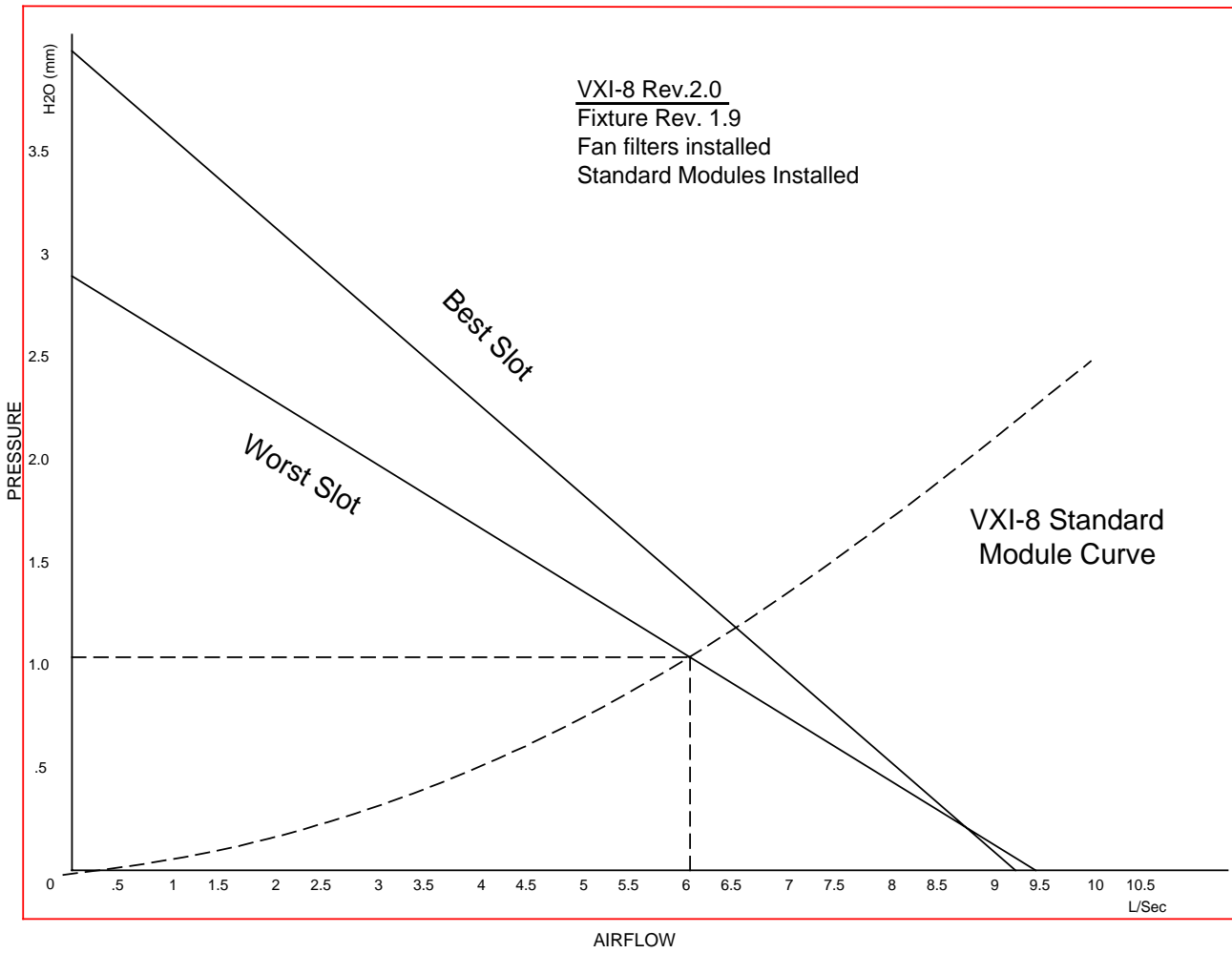


Figure A-1, Mainframe Worst Case Slot Cooling Curve

Table A-4, Safety

Characteristic	Description
Safety Characteristics	IEC 1010-1
IEC Characteristics	Installation Category II Pollution Degree 2 Safety Class 1

Table A-5, Environmental (Typical)

Characteristic	Description
Classification	MIL-T-28800E Type III, Class 5, Style E or F
Temperature	
Operating	0°C to 50°C
Non-operating	-40°C to 85°C
Altitude	
Operating	10,000 ft.
Non-operating	15,000 ft.
Sine Vibration	
Operating	0.013" double amplitude, 5-55Hz
Non-operating	
Functional Shock	
Operating	Half sine, 30 g, 11 ms duration.
Acoustic Noise	56dBA (max)

Table A-6, Backplane

Characteristic	Description
Bus Grant/Interrupt Acknowledge	Solid state, auto-configuring (jumper less)
VXIbus CLK10 Distribution	Full differential

Table A-7, Mechanical

Characteristic	Description
Overall Dimensions	Mainframe Power Supply
Height	12.22 in (31.0 cm) 5.22in (13.26cm)
Width	17.38 in (44.1 cm) 19.00in (48.26cm)
Depth	23.68 in (60.1 cm) 27.78in (70.56cm)
Weight 7U Mainframe	
Mainframe	46 lbs (20.7 kg)
Power Supply	100 lbs (45.5kg)

Table A-8, EMS Monitoring System Specifications, (Typical)

Characteristics	Description								
Auxiliary Rear Panel DC Voltage Outputs	<table border="0"> <tr> <td>Voltage</td> <td>Current</td> </tr> <tr> <td>+5 V</td> <td>1 Amp maximum, (Self Healing Fuse)</td> </tr> <tr> <td>+12 V</td> <td>1 Amp maximum, (Self Healing Fuse)</td> </tr> <tr> <td>+24 V</td> <td>1 Amp maximum, (Self Healing Fuse)</td> </tr> </table>	Voltage	Current	+5 V	1 Amp maximum, (Self Healing Fuse)	+12 V	1 Amp maximum, (Self Healing Fuse)	+24 V	1 Amp maximum, (Self Healing Fuse)
Voltage	Current								
+5 V	1 Amp maximum, (Self Healing Fuse)								
+12 V	1 Amp maximum, (Self Healing Fuse)								
+24 V	1 Amp maximum, (Self Healing Fuse)								
Maximum slot temperature (T_{max}) Rear Panel Output Voltage	100 mV per °C, 0°C corresponds to 0 V output ± 1.5 °C accuracy, -5 to + 85°C range								
Fan Speed Control	0V = Minimum fan speed 1V = Maximum fan speed ± 1.5 °C accuracy, -5 to + 85°C range								
Fan Speed TACH Rear Panel Outputs	2 Pulses/Rev, each fan has TTL level Tach output								
Fan Speed Range, typical	2000 to 4800 RPM								
VXI Power Supply Voltage Health Status Readout	Available at: Front Panel Display, VXI Message Based Interface, RS-232 interface Default Tolerance limits: V nom -8.75%, +10% 3% accuracy								
VXI Power Supply Temperature Health Status Readout	Available at: Front Panel Display (1 x 10 Characters), VXI Message Based Interface, RS-232 interface Absolute Temp. = 55 °C Default Tolerance limits: ΔT > 30°C, T_{amb} > 55°C ± 1.5°C accuracy, -5 to + 85°C range								

Characteristics	Description
VXI Power Supply Airflow Health Status Readout	Available at: Front Panel Display (1 x 10 Characters), VXI Message Based Interface, RS-232 interface Tolerance limit: 2000 RPM < Fan speed < 5000 RPM ± 200 RPM accuracy
Rear Panel Trigger Input	TTL level Input (5VDC max), active low Routes to any one of eight backplane TTLTRIG lines (default is unconnected). Routing delay 50 nS, typical Programmable delay range: 0 nS to > 1 Second, 31.25 nS resolution, synchronization error 31.25 nS
Rear Panel Trigger Output	TTL level Output, active low, 74F38 driver with 1K Ohm pull up to +5V Routes from any one of eight backplane TTLTRIG lines or Real Panel Trigger Input (default is unconnected). Routing delay 50 nS, typical Programmable delay range: 0 nS to > 1 Second, 31.25 nS resolution, synchronization error 31.25 nS
Elapsed Time Functions Fan Service Power-On Time Cumulative Power-On Time	1 Second resolution 1 Second resolution 1 Second resolution
VXI IACK<N> Event Count	1 Count resolution, 0 to 255 range
VXI Bus Error Event Count	1 Count resolution, 0 to 255 range
VXI SYSFAIL*, ACFAIL*, and AS* Logic State Monitor	State Indication: 1 if the line is high, or a 0 if the line is low. (Note that since each of these lines is asserted when low, the normal reply should be "1").
Front Panel User Message	80 Characters, scrolled

Characteristics	Description
VXI Interface Capabilities	VXIbus Specification Rev 1.4 compliant Message-Based Device A16 Only Servant only Static Configuration Instrument Protocol (I) IEEE-488.2 Instrument Protocol (I4) Supports the Word-Serial Trigger command Programmable Interrupter Event Generation Response Generation
Software Protocols supported by VXI and RS-232 Interfaces	SCPI Compliance 1994.0 IEEE 488.2

Appendix B

ERROR MESSAGES

Error Message

In general, whenever the EMS receives an invalid SCPI command, it automatically generates an error. Errors are stored in a special error queue and may be retrieved from this buffer one at a time. Errors are retrieved in first-in-first-out (FIFO) order. The first error returned is the first error that was stored. When you have read all errors from the queue, the generator responds with the message:

0,"No error"

If more than 16 errors have occurred, the last error stored in the queue is replaced with:

-350,"Queue overflow"

No additional errors are stored until errors are removed from the queue as described in the following paragraphs.

The error queue is cleared when power has been shut off or after a *CLS command has been executed. The *RST command does not clear the error queue. Use the following command to read the error queue:

SYSTem:ERRor?

All errors have the following format (the error string may contain up to 80 characters):

<Error Number>, <Error String>

Where:

<Error Number> is a numeric value. This may be positive or negative

<Error String> is a descriptive error message, enclosed in double quotes.

A complete listing of the errors that can be generated by the EMS is shown in **Table 4-3**.

Table B-1, Error Messages

Error Message	ESR Bit Set	Error Description
0,"No Error"	none	The error queue is empty.
-100,"Command error"	CME	The command is not recognized.
-101,"Invalid character"	CME	There is an invalid character embedded in the command.
-102,"Syntax error"	CME	An unrecognized command or data type was encountered.
-103,"Invalid separator"	CME	The parser was expecting a separator and encountered an illegal character.
-104,"Data type error"	CME	The parser encountered a parameter data type different than expected. (For example, expected numeric/received string).
-105,"GET not allowed"	CME	A Group Execute Trigger was received within a command.
-108,"Parameter not allowed"	CME	More parameters were received than were expected.
-109,"Missing parameter"	CME	Fewer parameters were received than expected.
-110,"Command header error"	CME	An error was detected in the header.
-111,"Header separator error"	CME	An illegal separator character followed the command header.
-112,"Program mnemonic too long"	CME	The command keyword contains more than 12 characters.
-113,"Undefined header"	CME	Command header is syntactically correct but not recognized.
-114,"Header suffix out of range"	CME	The value of a numeric suffix makes the header invalid (VOLT8).
-120,"Numeric data error"	CME	The data appears to be numeric but is syntactically incorrect.
-121,"Invalid character in number"	CME	An invalid character for the data byte was encountered.
-123,"Exponent too large"	CME	The magnitude of the exponent was larger than 32000.
-124,"Too many digits"	CME	The mantissa of a decimal number contains more than 255 digits.
-128,"Numeric data not allowed"	CME	A legal numeric data element was received but is not allowed.
-130,"Suffix error"	CME	The command suffix is not understood or recognized.
-131,"Invalid suffix"	CME	The suffix does not follow the syntax in IEEE-488.2, Sec 7.7.3.2.
-134,"Suffix too long"	CME	The suffix contains more than 12 characters.
-138,"Suffix not allowed"	CME	A suffix was encountered after a numeric parameter value where no suffix is allowed. (e.g. "SRE 255 MHZ").
-140,"Character data error"	CME	A character received as a command parameter is invalid.
-141,"Invalid character data"	CME	The character data element has an invalid character or the character data is not valid for the

		command header.
-144,"Character data too long"	CME	The character data element contains more than 12 characters.
-148,"Character data not allowed"	CME	A legal character data element was received but is not allowed.
-150,"String data error"	CME	A string received as a command parameter is invalid.
-151,"Invalid string data"	CME	A string was received where expected, but contained an invalid character (e.g. was not terminated with a quote character).
-158,"String data not allowed"	CME	A string data element was encountered but is not allowed.
-200,"Execution error"	EXE	An execution error has occurred. The EMS cannot determine a more specific problem with the error (see errors -201 to -299 below).
-210,"Trigger error"	EXE	A trigger error has occurred. No more specific info is known.
-211,"Trigger ignored"	EXE	*TRG or GET received but ignored due to timing considerations.
-212,"Arm ignored"	EXE	An arming signal was received and recognized but was ignored.
-213,"Init ignored"	EXE	A request for measurement initiation was ignored since another measurement was already.
-214,"Trigger deadlock"	EXE	Trigger subsystem is deadlocked.
-215,"Arm deadlock"	EXE	Trigger arming is deadlocked.
-220,"Parameter error"	EXE	Command parameter is invalid or unrecognized.
-221,"Settings conflict"	EXE	Legal command parameter received but could not be executed because doing so would place the device in an invalid state.
-222,"Data out of range"	EXE	Command data parameter is out of range.
-223,"Too much data"	EXE	Block, expression, or string type received contained too much data.
-224,"Illegal parameter value"	EXE	The parameter value is not from list of possible values.
-240,"Hardware error"	EXE	An (unspecified) hardware error prevented proper execution of the command.
-241,"Hardware missing"	EXE	The command failed because a hardware option was not installed.
-300,"Device-specific error"	DDE	A generic device-specific error which does not match one of the SCPI-defined errors in the range -300 to -399 has occurred.
-310,"System error"	DDE	A device-defined generic system error has occurred.
-311,"Memory error"	DDE	The EMS's memory is corrupted.
-314,"Save/recall memory lost"	DDE	The *SAV or *RCL command has failed due to a corrupted nonvolatile memory.
-315,"Configuration memory lost"	DDE	Configuration information has been lost due to a corrupted nonvolatile memory.
-330,"Self-test failed"	DDE	The self-test has failed. If this is set at power-up, execute the *TST? query to determine what has

		failed.
-350,"Queue overflow"	DDE	An attempt was made to add an error message to a full error queue. Thus, the error queue has overflowed.
-360,"Communication error"	DDE	A communication error has occurred over the RS-232 interface.
-361,"Parity error in program message"	DDE	A parity error has been detected in the command over the RS-232 interface.
-362,"Framing error in program message"	DDE	A framing error has been detected in the command over the RS-232 interface.
-363,"Input buffer overrun"	DDE	The RS-232 interface input buffer has been overrun.
-400,"Query error"	QYE	A query error has been detected.
-410,"Query INTERRUPTED"	QYE	The query has been interrupted (see IEEE-488.2, Sec. 6.3.2.3).
-420,"Query UNTERMINATED"	QYE	see IEEE-488.2, Sec 6.3.2.2 for a description.
-430,"Query DEADLOCKED"	QYE	The query has reached a deadlocked state. This happens when the input buffer is full, the output buffer is full, and a reply to a query cannot be generated.
1000,"VXI signal queue overflow"	DDE	The signal queue has overflowed. Sending VXI signals is an alternative method of generating interrupts.
1001,"VXI interrupt queue overflow"	DDE	The queue of pending interrupts to send has overflowed. The EMS maintains a queue of interrupts which should be sent. An interrupt cannot be sent until a previous interrupt has been acknowledged.
1002,"VXI bus error"	DDE	A VXIbus error has occurred when the EMS attempted to write data over the VXIbus.
1003,"VXI bus timeout"	DDE	A timeout has occurred while the EMS was waiting for control of the VXIbus.
1005 - 1999, "Internal error: xxx"	DDE	An internal firmware error has been detected. Errors of this type should be reported to EADS North America Defense Test and Services, Inc. for correction.